

Ø 400 mm, WELDED

AC AXIAL FAN



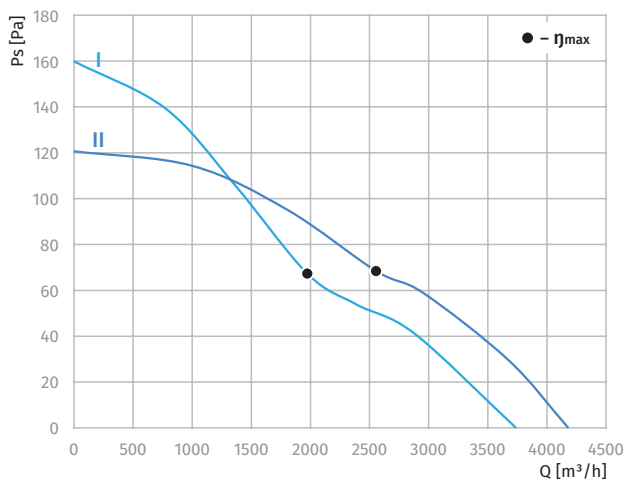
Features

- **Impeller material:** alkyd coated steel, welded
- **Direction of rotation:** clockwise for blowing "B" and counter-clockwise for sucking "S", seen on rotor
- **Type of protection:** IP54
- **Insulation class:** F
- **Mode of operation:** continuous operation (S1)
- **Bearing:** ball bearings
- **Motor protection:** self-resetting TOP wired internally



Technical data

Model	Perform. curve	Nominal voltage [VAC]	Frequency [Hz]	Speed [RPM]	Power input max [W]	Current max [A]	Sound pres. level [dB(A)]	Perm. amb. temp. [°C]	Capacitor [µF/VDB]	Electrical connection
BL-A400B-4E-M01-B*	I	230	50	1400	290	1.27	63	-25 ... +50	6.0/450	A
BL-A400B-4E-M01-S*										
Axis-Q 400 4E	II	230	60	1600	331	1.43	67	-25 ... +50	6.0/450	A



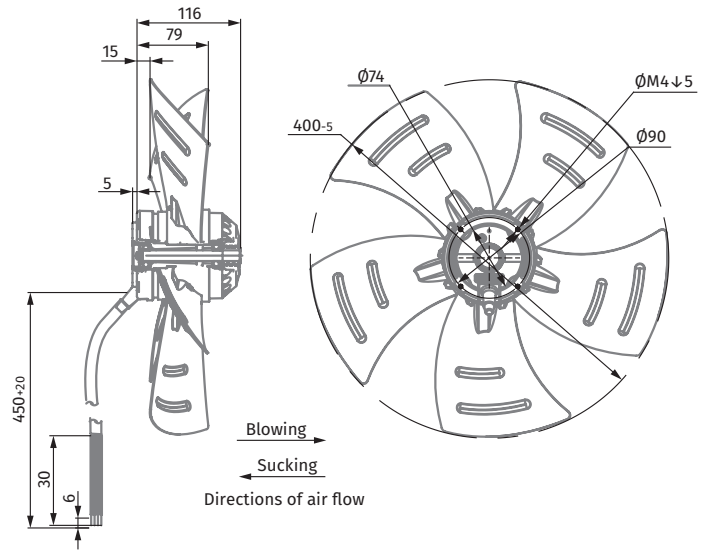
Ø 400 mm, WELDED

AC AXIAL FAN

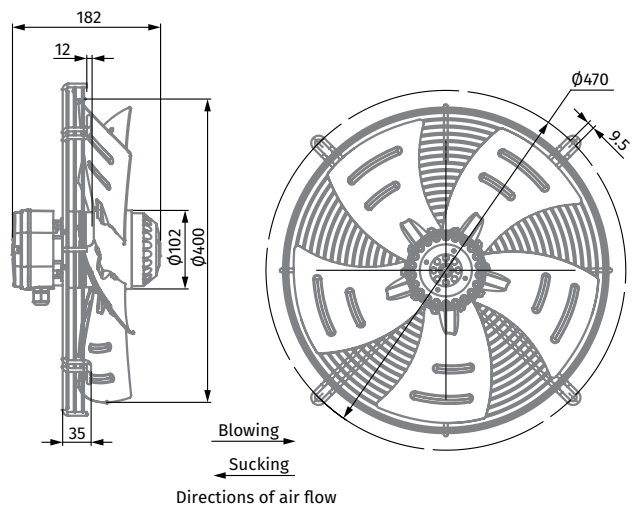
Overall Dimensions



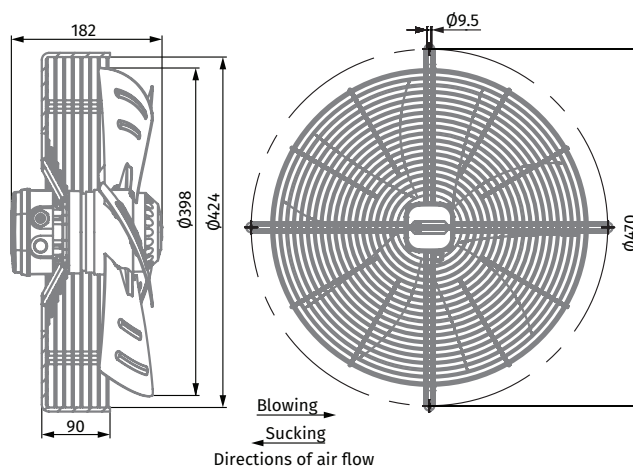
Axial Fan *no grid	Weight [kg]
BL-A400B-4E-M01-B0	4.4
BL-A400B-4E-M01-S0	4.4



Axial Fan *with low grid	Weight [kg]
BL-A400B-4E-M01-B1	5.3
BL-A400B-4E-M01-S1	5.3



Axial Fan *with high grid	Weight [kg]
BL-A400B-4E-M01-B3	5.7
BL-A400B-4E-M01-S3	5.7



Ø 400 mm, WELDED

AC AXIAL FAN



Axial Fan *with mounting plate and low grid	Weight [kg]
Axis-Q 400 4E	8.8

