



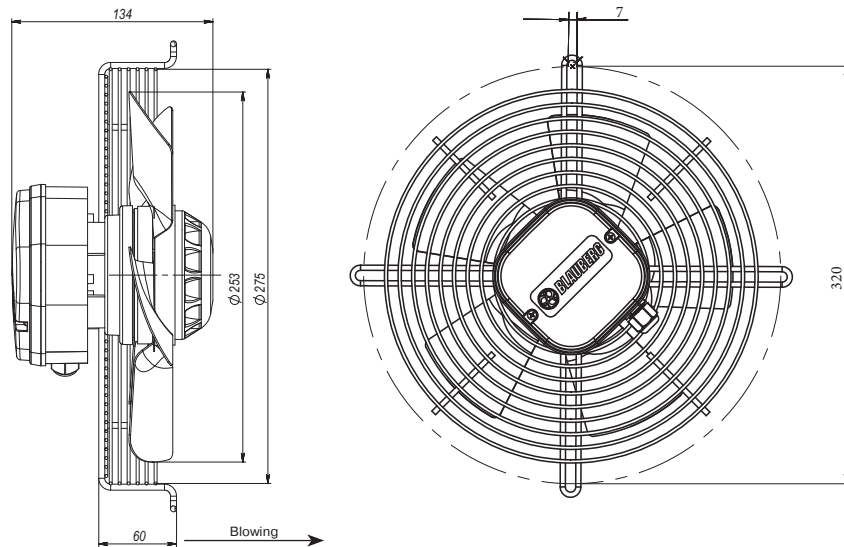
- Impeller material: steel powder coated, welded
- Direction of rotation: clockwise, seen on rotor
- Type of protection: IP54
- Insulation class: B
- Mode of operation: continuous operation (S1)
- Bearing: ball bearings
- Motor protection: self-resetting TOP wired internally



■ Technical data

Type	Nominal voltage [VAC]	Frequency [Hz]	Speed [RPM]	Power input [W]	Current [A]	Sound pressure level [dB(A)]	Perm. amb. temperature [°C]	Capacitor [µF/VDB]	Electrical connection
BL-A250B-2E-B01-B1	230	50	2435	120	0.5	60	-25...+40	2.5/450	A
		60	2605	150	0.7	62			
BL-A250B-4E-B01-B1	230	50	1400	50	0.25	53	-25...+40	2/450	A
		60	1600	55	0.3	54			

■ Overall dimensions



■ Performance curves

