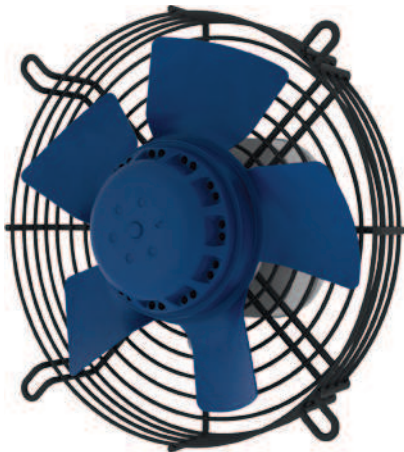


Ø 200 MM, STAMPED

AC AXIAL FAN



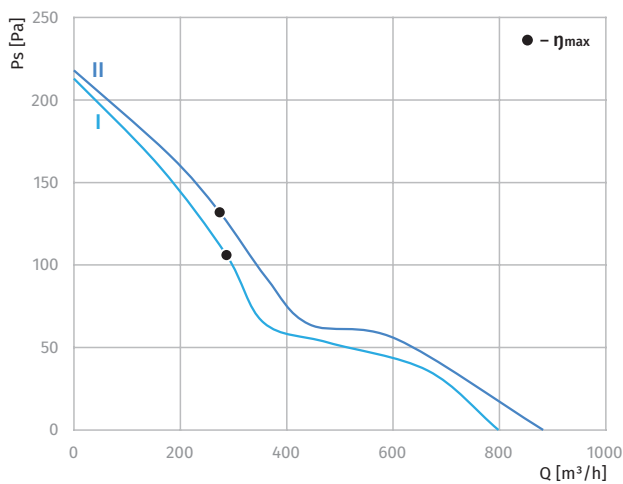
Features

- **Impeller material:** alkyd coated steel, stamped
- **Direction of rotation:** clockwise for blowing "B" and counter-clockwise for sucking "S", seen on rotor
- **Type of protection:** IP44
- **Insulation class:** B
- **Mode of operation:** continuous operation (S1)
- **Bearing:** ball bearings
- **Motor protection:** self-resetting TOP wired internally



Technical data

Model	Perform. curve	Nominal voltage [VAC]	Frequency [Hz]	Speed [RPM]	Power input max [W]	Current max [A]	Sound pres. level [dB(A)]	Perm. amb. temp. [°C]	Capacitor [µF/VDB]	Electrical connection
BL-A200A-2E-A01-B* BL-A200A-2E-A01-S*	I	230	50	2540	67	0.29	60	-25 ... +50	1.5/450	A
Axis-Q 200 2E Axis-Q 200 2E	II	230	60	2650	84	0.36	62	-25 ... +50	1.5/450	A



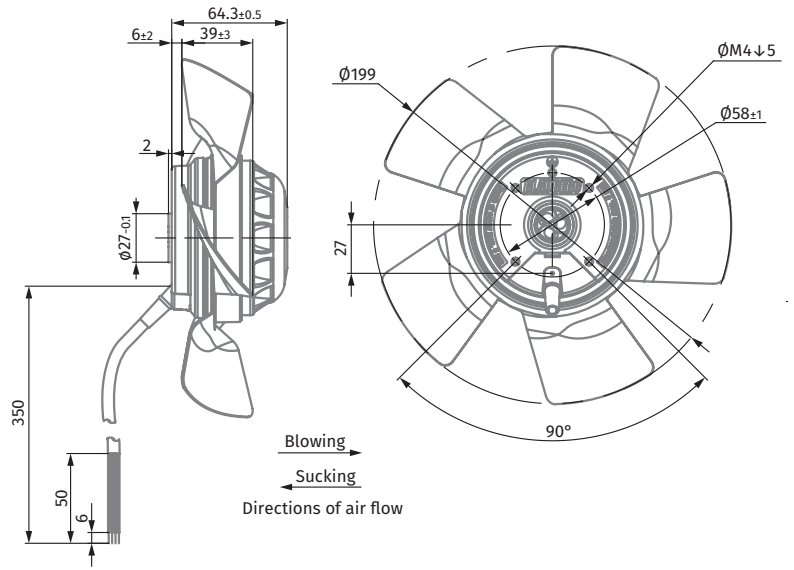
Ø 200 MM, STAMPED

AC AXIAL FAN

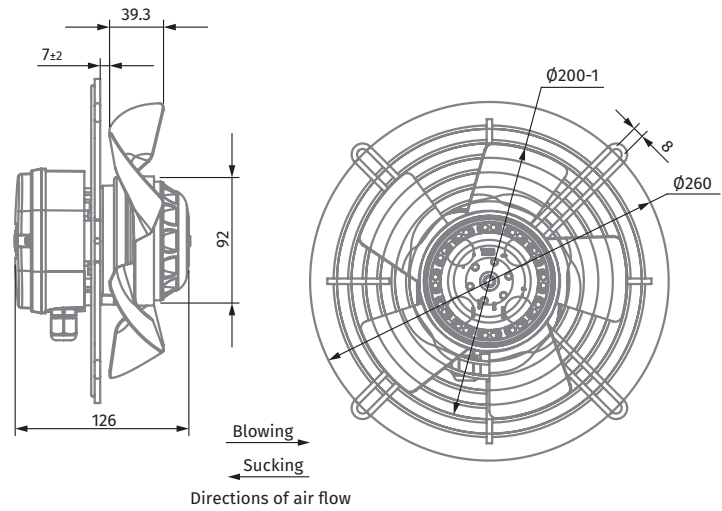
Overall Dimensions



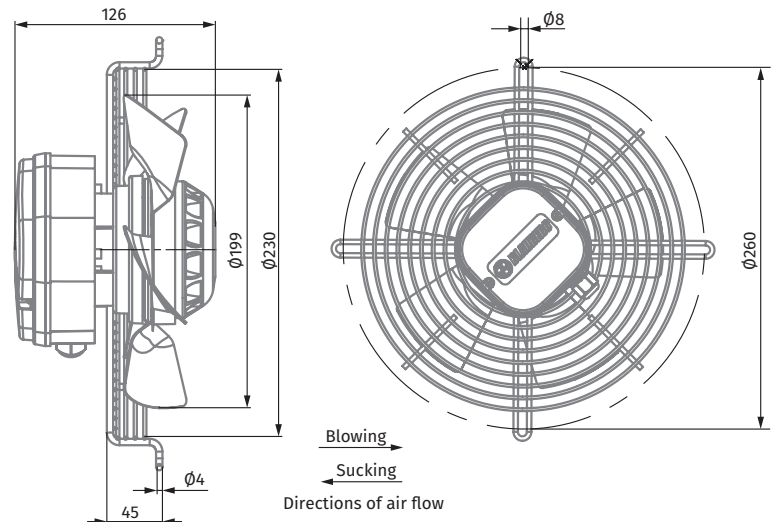
Axial Fan *no grid	Weight [kg]
BL-A200A-2E-A01-B0	1.56
BL-A200A-2E-A01-S0	1.56



Axial Fan *with low grid	Weight [kg]
BL-A200A-2E-A01-B1	1.68
BL-A200A-2E-A01-S1	1.68



Axial Fan *with high grid	Weight [kg]
BL-A200A-2E-A01-B3	1.9
BL-A200A-2E-A01-S3	1.9

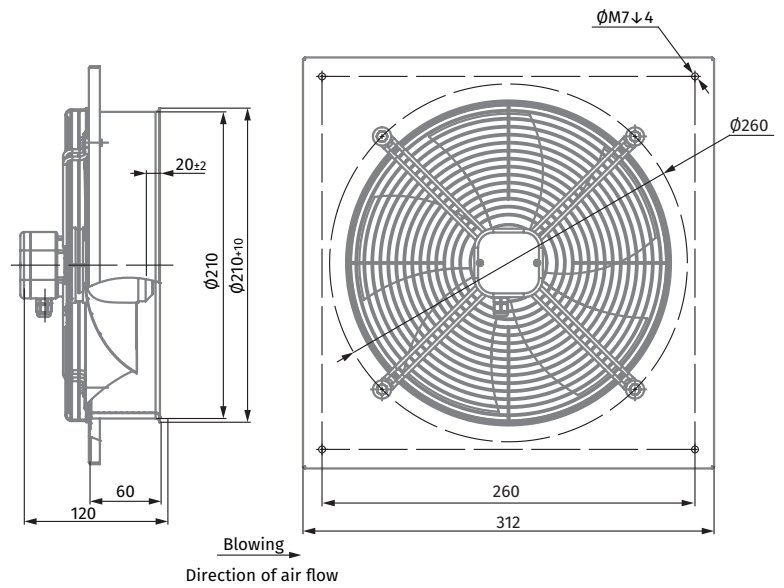


Ø 200 mm, STAMPED

AC AXIAL FAN



Axial Fan *with mounting plate and low grid	Weight [kg]
Axis-Q 200 2E	3.0



Axial Fan *in metal casing	Weight [kg]
Axis-F 200 2E	3.0

