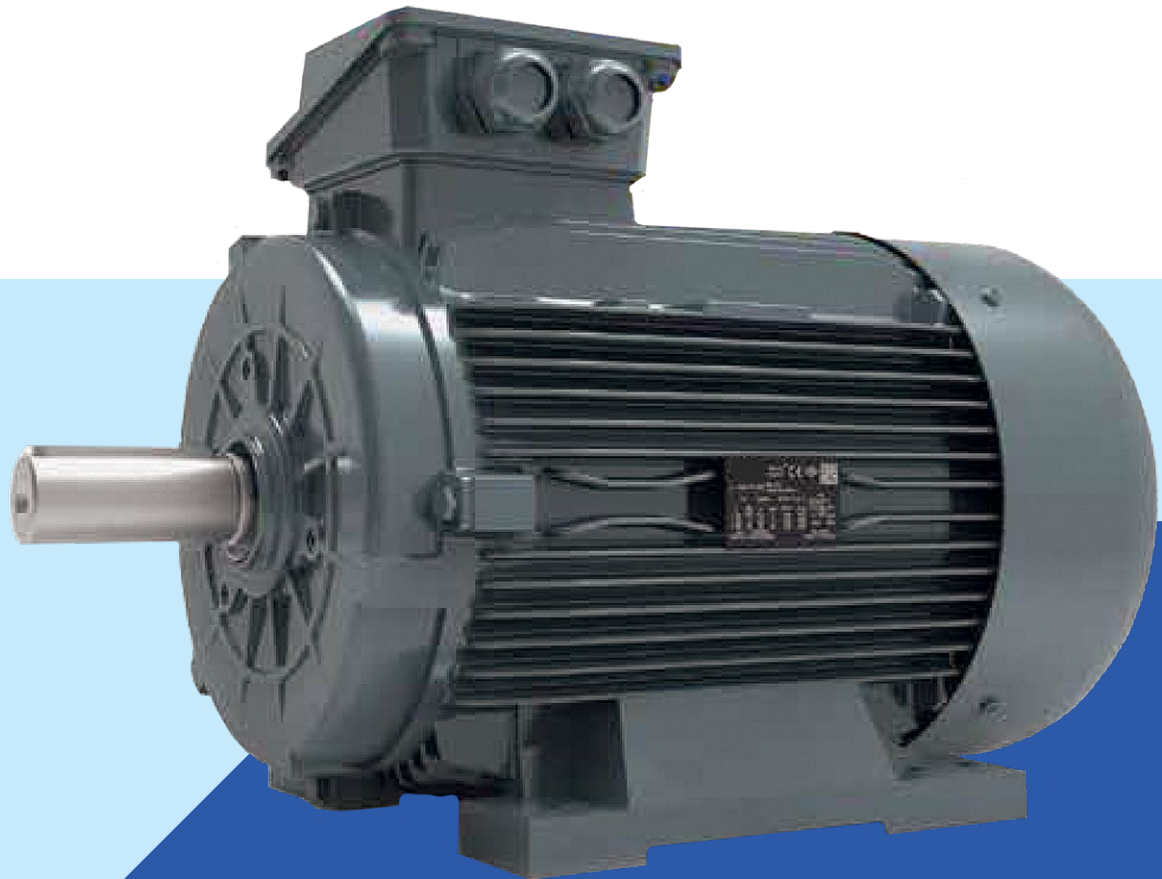


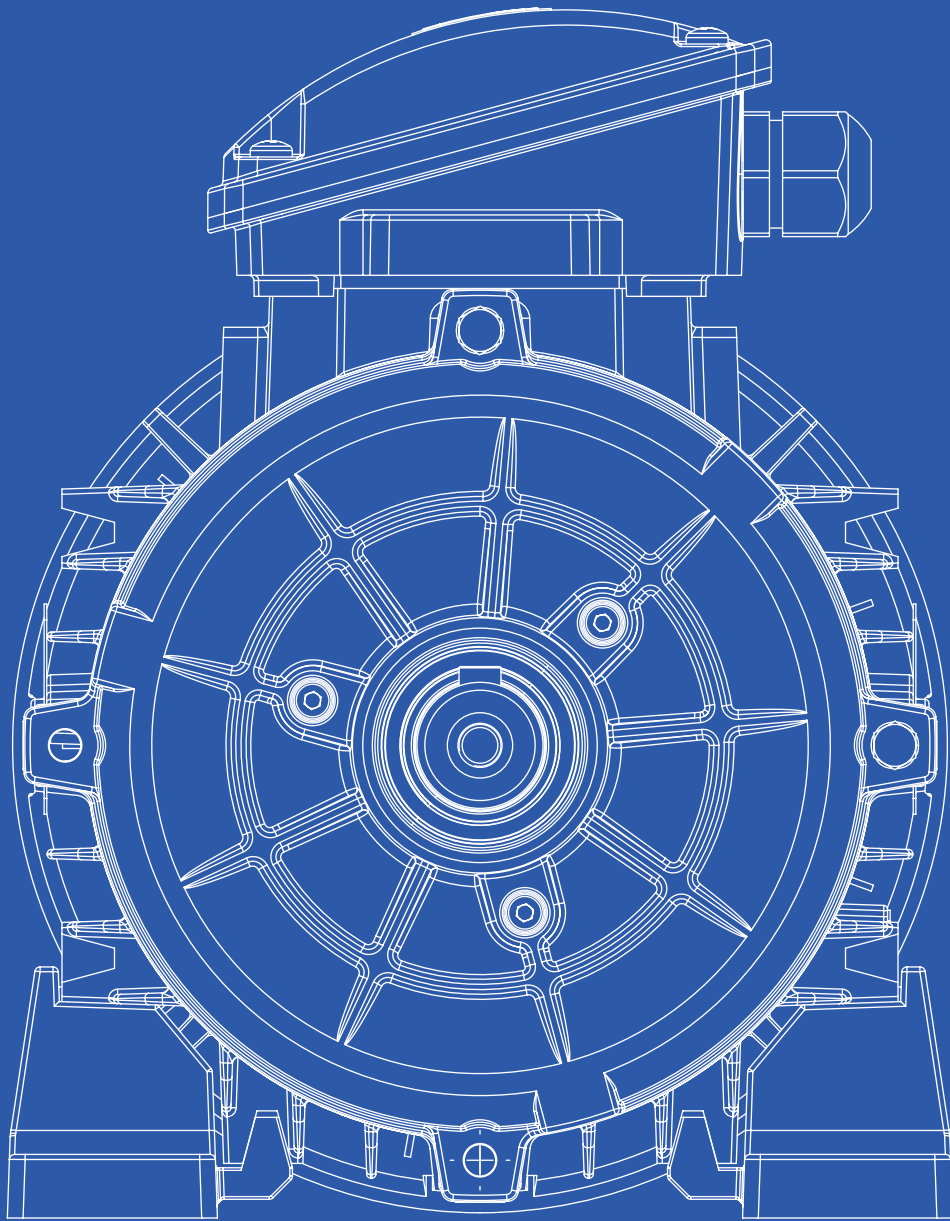


**BLAUBERG**  
Motoren



**IE3 MOTORS**

**CATALOGUE 2022**



## CONTENTS

|                              |          |
|------------------------------|----------|
| <b>About Blauberg Group</b>  | <b>2</b> |
| <b>General information</b>   | <b>4</b> |
| <b>Electrical data</b>       | <b>6</b> |
| <b>Mechanical dimensions</b> | <b>9</b> |



**Blauberg Group manufactures and sells a complete range of hi-tech energy-efficient ventilation equipment offering a balanced mix of innovative technology, contemporary design and traditional German quality.**

The group's main products include domestic fans, single-room ventilation units, heat recovery units, industrial fans and air handling units, parts and accessories for customized system configurations as well as bespoke ventilation solutions. Due to our product diversity, we do our best to meet the individual needs of our clients in various countries with the best combination of price and quality.







Blaubeerg Motoren was founded in Munich, Germany, as a division for manufacturing fans and motors and is an integral part of the Blaubeerg Group.



**Blaubeerg Motoren** started with manufacturing AC motors with external rotors for own needs and now produces wide range of motors and fans with EC and AC technology for clients all around the world. The product range includes axial fans, backward curved fans, forward curved fans, blowers.

We are proud to be presented in products of our clients – world famous manufactures of ventilation, heat, home appliances and other equipment, and be part of their success.



**Blaubeerg Motoren** has an R&D (research and development) center in Munich (Germany), as well as main testing laboratories for products and factories in Germany (Munich), Ukraine (Kyiv) and Poland.

Every day we are working with our passion and respect to technology and engineering to make our products better – more responsive to needs and expectations of our clients.

With traditional German quality, we are focused on developing and improving technology – in our own manufacturing and in our products.

WE ARE CLIENT-ORIENTED COMPANY AND TRY TO BE BEST ONE FOR OUR CLIENTS IN SEGMENTS WE ARE PRESENT.

## GENERAL INFORMATION

### Bearings used in three-phase induction motors

| Frame | Number of poles | Housing material     | DE bearing | NDE bearing |
|-------|-----------------|----------------------|------------|-------------|
| 56    | 2P, 4P, 6P      | Aluminium            | 6200       | 6200        |
| 63    | 2P, 4P, 6P      | Aluminium            | 6201       | 6201        |
| 71    | 2P, 4P, 6P      | Aluminium            | 6202       | 6202        |
| 80    | 2P, 4P, 6P      | Aluminium            | 6204       | 6204        |
| 90    | 2P, 4P, 6P      | Aluminium            | 6205       | 6205        |
| 100   | 2P, 4P, 6P      | Aluminium            | 6206       | 6205        |
| 112   | 2P, 4P, 6P      | Aluminium            | 6206       | 6205        |
| 132   | 2P, 4P, 6P      | Aluminium, Cast iron | 6208       | 6208        |
| 160   | 2P, 4P, 6P      | Aluminium            | 6309       | 6309        |
|       | 2P, 4P, 6P      | Cast iron            | 6309       | 6209        |
| 180   | 2P, 4P, 6P      | Aluminium, Cast iron | 6310       | 6210        |
| 200   | 2P, 4P, 6P      | Aluminium, Cast iron | 6312       | 6212        |
| 225   | 2P, 4P, 6P      | Cast iron            | 6313       | 6212        |
| 250   | 2P, 4P, 6P      | Cast iron            | 6315       | 6313        |
| 280   | 2P              | Cast iron            | 6315       | 6315        |
| 280   | 4P, 6P          | Cast iron            | 6316       | 6316        |
| 315   | 2P              | Cast iron            | 6316       | 6316        |
|       | 4P, 6P          | Cast iron            | 6318       | 6318        |
| 355   | 2P              | Cast iron            | 6318       | 6318        |
|       | 4P, 6P          | Cast iron            | 6321       | 6321        |

### Cable gland

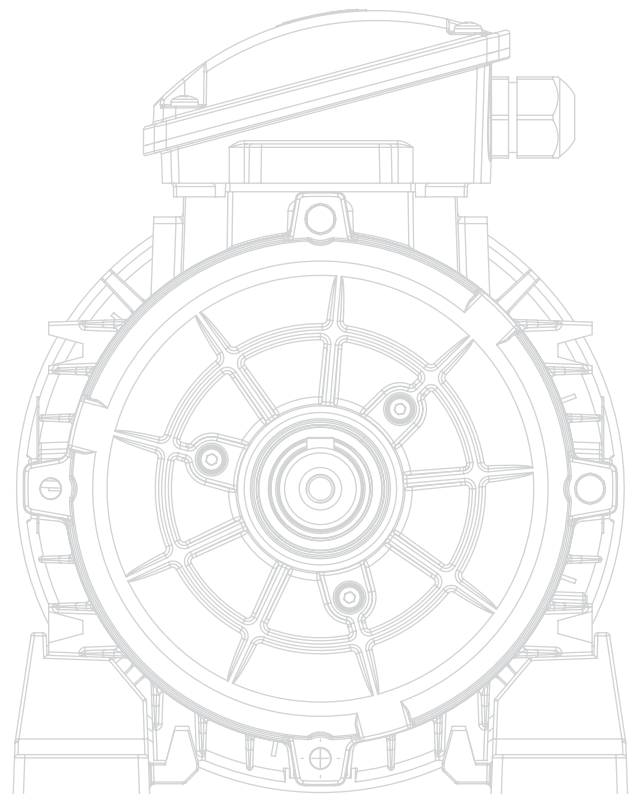
| Frame size | Cable gland |
|------------|-------------|
| 56         | M20×1       |
| 63         | M20×1       |
| 71         | M20×1       |
| 80         | M20×1       |
| 90         | M20×1       |
| 100        | M20×1       |
| 112        | M25×2       |
| 132        | M25×2       |
| 160        | M32×2       |
| 180        | M32×2       |
| 200        | M50×2       |
| 225        | M50×2       |
| 250        | M50×2       |
| 280        | M50×2       |
| 315        | M63×2       |
| 355        | M80×2       |

## Dust seal dimensions in three-phase induction motors

| Frame | Number of poles | Dimensions [mm] |                |
|-------|-----------------|-----------------|----------------|
|       |                 | Front dust seal | Rear dust seal |
| 56    | 2P, 4P, 6P      | 9               | 9              |
| 63    | 2P, 4P, 6P      | 10.5            | 10.5           |
| 71    | 2P, 4P, 6P      | 13              | 13             |
| 80    | 2P, 4P, 6P      | 18              | 18             |
| 90    | 2P, 4P, 6P      | 22              | 22             |
| 100   | 2P, 4P, 6P      | 27              | 27             |
| 112   | 2P, 4P, 6P      | 27              | 27             |
| 132   | 2P, 4P, 6P      | 36              | 36             |
| 160   | 2P, 4P, 6P      | 40              | 40             |
| 180   | 2P, 4P, 6P      | 45              | 45             |
| 200   | 2P, 4P, 6P      | 54              | 54             |
| 225   | 2P, 4P, 6P      | 58              | 58             |
| 250   | 2P, 4P, 6P      | 58              | 58             |
| 280   | 2P              | 67              | 67             |
|       | 4P, 6P          | 72              | 72             |
| 315   | 2P              | 72              | 72             |
|       | 4P, 6P          | 81              | 81             |

## Key dimensions according to frame sizes

| Frame | Number of poles | Measurements |
|-------|-----------------|--------------|
| 56    | 2P, 4P, 6P      | 3×3×14       |
| 63    | 2P, 4P, 6P      | 4×4×16       |
| 71    | 2P, 4P, 6P      | 5×5×22       |
| 80    | 2P, 4P, 6P      | 6×6×32       |
| 90    | 2P, 4P, 6P      | 8×7×40       |
| 100   | 2P, 4P, 6P      | 8×7×50       |
| 112   | 2P, 4P, 6P      | 8×7×50       |
| 132   | 2P, 4P, 6P      | 10×8×70      |
| 160   | 2P, 4P, 6P      | 12×8×90      |
| 180   | 2P, 4P, 6P      | 14×9×100     |
| 200   | 2P, 4P, 6P      | 16×10×100    |
| 225   | 2P              | 16×10×100    |
|       | 4P, 6P          | 18×11×125    |
| 250   | 2P, 4P, 6P      | 18×11×125    |
| 280   | 2P              | 18×11×125    |
|       | 4P, 6P          | 20×12×125    |
| 315   | 2P              | 18×11×125    |
|       | 4P, 6P          | 22×14×140    |
| 355   | 2P              | 22×14×140    |
|       | 4P, 6P          | 28×16×200    |



# IE3 – 2 POLES

## ELECTRICAL DATA

### 2 Poles IE3 aluminium motors

| Voltage          | Motor type   | Frame | Housing material | Nominal data     |              |              |              |               | Current ratio               |                            |       |       | Breakdown torque ratio<br>Mk / Mn | Efficiency<br>n % |      |      | J<br>kgm <sup>2</sup> | Weight [kg] | Volume level dBA** |
|------------------|--------------|-------|------------------|------------------|--------------|--------------|--------------|---------------|-----------------------------|----------------------------|-------|-------|-----------------------------------|-------------------|------|------|-----------------------|-------------|--------------------|
|                  |              |       |                  | Power<br>kW   HP | Speed<br>rpm | Current<br>A | Torque<br>Nm | cosφ<br>100 % | Current<br>Ia / In<br>Y   D | Torque<br>Ma / Mn<br>Y   D | 100 % | 75 %  |                                   | 50 %              |      |      |                       |             |                    |
| 2 Poles 3000 rpm |              |       |                  |                  |              |              |              |               |                             |                            |       |       |                                   |                   |      |      |                       |             |                    |
| 230/400 V        | V3EA 80 M2A  | 80    | Aluminium        | 0.75   1.0       | 2840         | 1.6          | 2.5          | 0.84          | 5.94                        | 17.82                      | 2.8   | 8.4   | 3.12                              | 80.7              | 81   | 80   | 0.0007                | 11          | 80                 |
|                  | V3EA 80 M2B  | 80    | Aluminium        | 1.1   1.5        | 2870         | 2.5          | 3.7          | 0.77          | 5.84                        | 17.52                      | 2.4   | 7.2   | 3.14                              | 82.7              | 83.4 | 82.3 | 0.0008                | 13          | 80                 |
|                  | V3EA 90 S2A  | 90S   | Aluminium        | 1.5   2.0        | 2895         | 3.2          | 4.9          | 0.8           | 8.09                        | 24.27                      | 2.2   | 6.6   | 4.1                               | 84.2              | 84.1 | 81.7 | 0.0016                | 19          | 80                 |
|                  | V3EA 90 L2A  | 90L   | Aluminium        | 2.2   3.0        | 2900         | 4.5          | 7.2          | 0.82          | 8.58                        | 25.74                      | 3.4   | 10.2  | 4.17                              | 85.9              | 83.5 | 80.2 | 0.0019                | 18          | 80                 |
|                  | V3EA 100 L2A | 100   | Aluminium        | 3   4.0          | 2915         | 5.9          | 9.8          | 0.84          | 9.29                        | 27.87                      | 3.6   | 10.8  | 4.27                              | 87.1              | 84.6 | 86.8 | 0.0036                | 26          | 85                 |
| 400/690 V        | V3EA 112 M2A | 112   | Aluminium        | 4   5.4          | 2955         | 7.5          | 12.9         | 0.89          | 7.47                        | 22.41                      | 3.3   | 9.9   | 3.8                               | 88.1              | 88.1 | 87.2 | 0.0046                | 29.3        | 85                 |
|                  | V3EA 132 S2A | 132S  | Aluminium        | 5.5   7.4        | 2960         | 9.5          | 17.7         | 0.91          | 10.53                       | 31.59                      | 3.8   | 11.4  | 4.5                               | 89.2              | 89.1 | 89   | 0.0147                | 45          | 85                 |
|                  | V3EA 132 S2B | 132S  | Aluminium        | 7.5   10.1       | 2960         | 13.2         | 24.2         | 0.91          | 10.61                       | 31.83                      | 4.13  | 12.39 | 4.63                              | 90.1              | 90   | 89.7 | 0.017                 | 55          | 90                 |
|                  | V3EA 160 M2A | 160M  | Aluminium        | 11   14.8        | 2957         | 16.6         | 35.5         | 0.92          | 9                           | 27                         | 3     | 9     | 3.38                              | 91.2              | 90.6 | 88.5 | 0.1003                | 80          | 90                 |
|                  | V3EA 160 M2B | 160M  | Aluminium        | 15   20.1        | 2963         | 26.8         | 48.4         | 0.89          | 4.5                         | 13.5                       | 3     | 9     | 3.4                               | 91.9              | 89.3 | 91.3 | 0.1104                | 107         | 93                 |
|                  | V3EA 160 L2A | 160L  | Aluminium        | 18.5   24.8      | 2970         | 32.5         | 59.5         | 0.88          | 7.6                         | 22.8                       | 4.2   | 12.6  | 4.35                              | 92.4              | 92.3 | 92   | 0.0591                | 115         | 93                 |
|                  | V3EA 180 M2A | 180M  | Aluminium        | 22   29.5        | 2958         | 38.1         | 71.8         | 0.91          | 9                           | 27                         | 2.62  | 7.86  | 3                                 | 92.7              | 90.9 | 89.3 | 0.0834                | 150         | 93                 |
|                  | V3EA 200 L2A | 200   | Aluminium        | 30   40.2        | 2975         | 51.8         | 96           | 0.9           | 9.3                         | 27.9                       | 3.8   | 11.4  | 3.8                               | 93.3              | 92.8 | 89.5 | 0.1543                | 235         | 95                 |
|                  | V3EA 200 L2B | 200   | Aluminium        | 37   49.6        | 2975         | 64.7         | 118.8        | 0.88          | 8.4                         | 25.2                       | 3.5   | 10.5  | 3.62                              | 93.7              | 92.6 | 92.8 | 0.1754                | 258         | 95                 |

### 2 Poles IE3 cast iron motors

| Voltage          | Motor type   | Frame | Housing material | Nominal data     |              |              |              |               | Current ratio               |                            |       |      | Breakdown torque ratio<br>Mk / Mn | Efficiency<br>n % |      |      | J<br>kgm <sup>2</sup> | Weight [kg] | Volume level dBA** |
|------------------|--------------|-------|------------------|------------------|--------------|--------------|--------------|---------------|-----------------------------|----------------------------|-------|------|-----------------------------------|-------------------|------|------|-----------------------|-------------|--------------------|
|                  |              |       |                  | Power<br>kW   HP | Speed<br>rpm | Current<br>A | Torque<br>Nm | cosφ<br>100 % | Current<br>Ia / In<br>Y   D | Torque<br>Ma / Mn<br>Y   D | 100 % | 75 % |                                   | 50 %              |      |      |                       |             |                    |
| 2 Poles 3000 rpm |              |       |                  |                  |              |              |              |               |                             |                            |       |      |                                   |                   |      |      |                       |             |                    |
| 400/690 V        | V3EG 160 M2A | 160M  | Cast iron        | 11   14.8        | 2957         | 16.6         | 35.5         | 0.92          | 9                           | 27                         | 3     | 9    | 3.38                              | 91.2              | 90.6 | 88.5 | 0.1003                | 80          | 90                 |
|                  | V3EG 160 M2B | 160M  | Cast iron        | 15   20.1        | 2963         | 26.8         | 48.4         | 0.89          | 4.5                         | 13.5                       | 3     | 9    | 3.4                               | 91.9              | 89.3 | 91.3 | 0.1104                | 107         | 93                 |
|                  | V3EG 160 L2A | 160L  | Cast iron        | 18.5   24.8      | 2970         | 32.5         | 59.5         | 0.88          | 7.6                         | 22.8                       | 4.2   | 12.6 | 4.35                              | 92.4              | 92.3 | 92   | 0.0591                | 115         | 93                 |
|                  | V3EG 180 M2A | 180M  | Cast iron        | 22   29.5        | 2958         | 38.1         | 71.8         | 0.91          | 9                           | 27                         | 2.62  | 7.86 | 3                                 | 92.7              | 90.9 | 89.3 | 0.0834                | 150         | 93                 |
|                  | V3EG 200 L2A | 200   | Cast iron        | 30   40.2        | 2975         | 51.8         | 96           | 0.9           | 9.3                         | 27.9                       | 3.8   | 11.4 | 3.8                               | 93.3              | 92.8 | 89.5 | 0.1543                | 235         | 95                 |
|                  | V3EG 200 L2B | 200   | Cast iron        | 37   49.6        | 2975         | 64.7         | 118.8        | 0.88          | 8.4                         | 25.2                       | 3.5   | 10.5 | 3.62                              | 93.7              | 92.6 | 92.8 | 0.1754                | 258         | 95                 |
|                  | V3EG 225 M2A | 225   | Cast iron        | 45   60.3        | 2975         | 75           | 144.5        | 0.92          | 9.9                         | 29.7                       | 3.2   | 9.6  | 3.3                               | 94                | 94   | 93.2 | 0.2687                | 325         | 97                 |
|                  | V3EG 250 M2A | 250   | Cast iron        | 55   73.8        | 2962         | 92           | 177.3        | 0.91          | 7.9                         | 23.7                       | 2.4   | 7.2  | 3.2                               | 94.3              | 92.8 | 93.1 | 0.2944                | 460         | 97                 |
|                  | V3EG 280 S2A | 280   | Cast iron        | 75   100.6       | 2980         | 125.5        | 240.4        | 0.92          | 8.21                        | 24.63                      | 2.2   | 6.6  | 3                                 | 94.7              | 94.3 | 94   | 0.6375                | 630         | 101                |
|                  | V3EG 280 M2A | 280   | Cast iron        | 90   120.7       | 2982         | 151          | 288.2        | 0.91          | 8.9                         | 26.7                       | 2.5   | 7.5  | 3.3                               | 95                | 94.5 | 93.8 | 0.7064                | 625         | 101                |
|                  | V3EG 315 S2A | 315S  | Cast iron        | 110   147.5      | 2982         | 188          | 352.3        | 0.89          | 8                           | 24                         | 3.1   | 9.3  | 4.5                               | 95.2              | 95   | 94.5 | 1.2093                | 780         | 101                |
|                  | V3EG 315 M2A | 315M  | Cast iron        | 132   177.0      | 2985         | 227          | 422.3        | 0.88          | 8.6                         | 25.8                       | 2.3   | 6.9  | 5                                 | 95.4              | 94.9 | 93.4 | 1.4255                | 820         | 102                |
|                  | V3EG 315 M2B | 315M  | Cast iron        | 160   214.6      | 2980         | 262          | 512.8        | 0.92          | 6.81                        | 20.43                      | 2.5   | 7.5  | 4.6                               | 95.7              | 95.7 | 95   | 1.6022                | 885         | 102                |
|                  | V3EG 315 L2A | 315L  | Cast iron        | 185   248.1      | 2985         | 311          | 592          | 0.9           | 8                           | 24                         | 2     | 6    | 2.3                               | 95.8              | 96.1 | 95.4 | 1.9049                | 1085        | 102                |
|                  | V3EG 315 L2B | 315L  | Cast iron        | 200   268.2      | 2984         | 332          | 640          | 0.9           | 8.3                         | 24.9                       | 2     | 6    | 4.8                               | 96.4              | 96.1 | 95.9 | 1.9049                | 1085        | 102                |



# IE3 – 4 POLES

## ELECTRICAL DATA

### 4 Poles IE3 aluminium motors

| Voltage                 | Motor type   | Frame | Housing material | Nominal data     |              |              |              |               | Current ratio               |                            |       |      | Breakdown torque ratio<br>Mk / Mn | Efficiency<br>n % |        |     | J<br>kgm <sup>2</sup> | Weight [kg] | Volume level dBA** |
|-------------------------|--------------|-------|------------------|------------------|--------------|--------------|--------------|---------------|-----------------------------|----------------------------|-------|------|-----------------------------------|-------------------|--------|-----|-----------------------|-------------|--------------------|
|                         |              |       |                  | Power<br>kW   HP | Speed<br>rpm | Current<br>A | Torque<br>Nm | cosφ<br>100 % | Current<br>Ia / In<br>Y   D | Torque<br>Ma / Mn<br>Y   D | 100 % | 75 % |                                   | 50 %              |        |     |                       |             |                    |
| <b>4 Poles 1500 rpm</b> |              |       |                  |                  |              |              |              |               |                             |                            |       |      |                                   |                   |        |     |                       |             |                    |
| 230/400 V               | V3EA 80 M4B  | 80    | Aluminium        | 0.75   1.0       | 1450         | 3.9          | 5            | 0.6           | 3.6   10.8                  | 2.8   8.4                  | 5     | 82.5 | 82.3                              | 75.5              | 0.0027 | 11  | 75                    |             |                    |
|                         | V3EA 90 S4A  | 90S   | Aluminium        | 1.1   1.5        | 1450         | 2.7          | 7.2          | 0.7           | 6.4   19.2                  | 3   9                      | 3.3   | 84.1 | 83.6                              | 80                | 0.0031 | 14  | 75                    |             |                    |
|                         | V3EA 90 L4A  | 90L   | Aluminium        | 1.5   2.0        | 1445         | 3.6          | 9.9          | 0.71          | 6.9   20.7                  | 3.3   9.9                  | 2.5   | 85.3 | 84.1                              | 81.3              | 0.0046 | 19  | 75                    |             |                    |
|                         | V3EA 100 L4A | 100   | Aluminium        | 2.2   3.0        | 1445         | 4.9          | 14.5         | 0.75          | 7.1   21.3                  | 2.9   8.7                  | 3.1   | 86.7 | 85.1                              | 82.5              | 0.0066 | 18  | 78                    |             |                    |
|                         | V3EA 100 L4B | 100   | Aluminium        | 3   4.0          | 1445         | 6.7          | 19.9         | 0.74          | 6.9   20.7                  | 2.8   8.4                  | 4.2   | 86.7 | 85.3                              | 82.6              | 0.0083 | 26  | 78                    |             |                    |
| 400/690 V               | V3EA 112 M4A | 112   | Aluminium        | 4   5.4          | 1458         | 8.1          | 26.2         | 0.8           | 7.7   23.1                  | 2.9   8.7                  | 3.8   | 88.6 | 88.4                              | 87                | 0.0122 | 35  | 78                    |             |                    |
|                         | V3EA 132 S4A | 132S  | Aluminium        | 5.5   7.4        | 1470         | 11.2         | 35.7         | 0.78          | 8.6   25.8                  | 4.2   12.6                 | 4.7   | 89.6 | 89.3                              | 89                | 0.0306 | 50  | 78                    |             |                    |
|                         | V3EA 132 M4A | 132M  | Aluminium        | 7.5   10.1       | 1458         | 14.5         | 49.1         | 0.82          | 7.8   23.4                  | 3.6   10.8                 | 3.9   | 90.4 | 89.5                              | 90                | 0.0344 | 55  | 83                    |             |                    |
|                         | V3EA 160 M4A | 160M  | Aluminium        | 11   14.8        | 1471         | 21.2         | 71.4         | 0.81          | 7.1   21.3                  | 3.3   9.9                  | 9.6   | 91.4 | 89                                | 90                | 0.0795 | 100 | 83                    |             |                    |
|                         | V3EA 160 L4A | 160L  | Aluminium        | 15   20.1        | 1475         | 29           | 97.1         | 0.8           | 4.9   14.7                  | 1.9   5.7                  | 3.5   | 92.1 | 92                                | 93                | 0.0918 | 118 | 89                    |             |                    |
|                         | V3EA 180 M4A | 180M  | Aluminium        | 18.5   24.8      | 1475         | 35.1         | 119.8        | 0.82          | 7.6   22.8                  | 3.9   11.7                 | 4.4   | 92.6 | 91.4                              | 90.2              | 0.1666 | 155 | 89                    |             |                    |
|                         | V3EA 180 L4A | 180L  | Aluminium        | 22   29.5        | 1475         | 46.1         | 142.4        | 0.74          | 7.3   21.9                  | 4.6   13.8                 | 5.2   | 93   | 92.3                              | 91.3              | 0.1846 | 175 | 89                    |             |                    |
|                         | V3EA 200 L4A | 200   | Aluminium        | 30   40.2        | 1480         | 58.6         | 193.6        | 0.8           | 6.8   20.4                  | 3   9                      | 3.1   | 93.6 | 93.6                              | 92.1              | 0.2626 | 255 | 92                    |             |                    |
|                         | V3EA 200 L2B | 200   | Aluminium        | 37   49.6        | 2975         | 64.7         | 118.8        | 0.88          | 8.4   25.2                  | 3.5   10.5                 | 3.62  | 93.7 | 92.6                              | 92.8              | 0.1754 | 258 | 95                    |             |                    |

### 4 Poles IE3 cast iron motors

| Voltage                 | Motor type   | Frame | Housing material | Nominal data     |              |              |              |               | Current ratio               |                            |       |      | Breakdown torque ratio<br>Mk / Mn | Efficiency<br>n % |        |      | J<br>kgm <sup>2</sup> | Weight [kg] | Volume level dBA** |
|-------------------------|--------------|-------|------------------|------------------|--------------|--------------|--------------|---------------|-----------------------------|----------------------------|-------|------|-----------------------------------|-------------------|--------|------|-----------------------|-------------|--------------------|
|                         |              |       |                  | Power<br>kW   HP | Speed<br>rpm | Current<br>A | Torque<br>Nm | cosφ<br>100 % | Current<br>Ia / In<br>Y   D | Torque<br>Ma / Mn<br>Y   D | 100 % | 75 % |                                   | 50 %              |        |      |                       |             |                    |
| <b>4 Poles 1500 rpm</b> |              |       |                  |                  |              |              |              |               |                             |                            |       |      |                                   |                   |        |      |                       |             |                    |
| 400/690 V               | V3EG 160 M4A | 160M  | Cast iron        | 11   14.8        | 1471         | 21.2         | 71.4         | 0.81          | 7.1   21.3                  | 3.3   9.9                  | 9.6   | 91.4 | 89                                | 90                | 0.0795 | 100  | 83                    |             |                    |
|                         | V3EG 160 L4A | 160L  | Cast iron        | 15   20.1        | 1475         | 29           | 97.1         | 0.8           | 4.9   14.7                  | 1.9   5.7                  | 3.5   | 92.1 | 92                                | 93                | 0.0918 | 118  | 89                    |             |                    |
|                         | V3EG 180 M4A | 180M  | Cast iron        | 18.5   24.8      | 1475         | 35.1         | 119.8        | 0.82          | 7.6   22.8                  | 3.9   11.7                 | 4.4   | 92.6 | 91.4                              | 90.2              | 0.1666 | 155  | 89                    |             |                    |
|                         | V3EG 180 L4A | 180L  | Cast iron        | 22   29.5        | 1475         | 46.1         | 142.4        | 0.74          | 7.3   21.9                  | 4.6   13.8                 | 5.2   | 93   | 92.3                              | 91.3              | 0.1846 | 175  | 89                    |             |                    |
|                         | V3EG 200 L4A | 200   | Cast iron        | 30   40.2        | 1480         | 58.6         | 193.6        | 0.8           | 6.8   20.4                  | 3   9                      | 3.1   | 93.6 | 93.6                              | 92.1              | 0.2626 | 255  | 92                    |             |                    |
|                         | V3EG 225 S4A | 225   | Cast iron        | 37   49.6        | 1482         | 67.6         | 238.4        | 0.83          | 9.3   27.9                  | 3.7   11.1                 | 3.8   | 93.9 | 93.8                              | 93.7              | 0.4389 | 325  | 92                    |             |                    |
|                         | V3EG 225 M4A | 225   | Cast iron        | 45   60.3        | 1480         | 82.6         | 290.6        | 0.83          | 9.4   28.2                  | 3.7   11.1                 | 3.8   | 95   | 94.9                              | 94.5              | 0.5012 | 340  | 94                    |             |                    |
|                         | V3EG 250 M4A | 250   | Cast iron        | 55   73.8        | 1475         | 97           | 356          | 0.87          | 8.1   24.3                  | 3   9                      | 3.2   | 94.7 | 91                                | 93.7              | 0.5312 | 480  | 94                    |             |                    |
|                         | V3EG 280 S4A | 280   | Cast iron        | 75   100.6       | 1483         | 134          | 483          | 0.85          | 7.1   21.3                  | 2.3   6.9                  | 2.5   | 95   | 95                                | 94.7              | 1.1426 | 615  | 101                   |             |                    |
|                         | V3EG 280 M4A | 280   | Cast iron        | 90   120.7       | 1483         | 160          | 580          | 0.85          | 7.6   22.8                  | 2.5   7.5                  | 2.7   | 95.2 | 95.2                              | 95                | 1.3615 | 630  | 101                   |             |                    |
|                         | V3EG 315 S4A | 315S  | Cast iron        | 110   147.5      | 1489         | 195.8        | 705.5        | 0.85          | 7.2   21.6                  | 1.7   5.1                  | 3.1   | 95.4 | 94.7                              | 94.7              | 2.1328 | 880  | 101                   |             |                    |
|                         | V3EG 315 M4A | 315M  | Cast iron        | 132   177.0      | 1488         | 231          | 847          | 0.87          | 7.5   22.5                  | 3.2   9.6                  | 3.4   | 95.6 | 95.2                              | 94.7              | 2.4552 | 982  | 102                   |             |                    |
|                         | V3EG 315 M4B | 315M  | Cast iron        | 160   214.6      | 1487         | 277          | 1027         | 0.88          | 7.5   22.5                  | 3.2   9.6                  | 3.4   | 95.8 | 95.6                              | 95.2              | 2.7846 | 982  | 102                   |             |                    |
|                         | V3EG 315 L4A | 315L  | Cast iron        | 185   248.1      | 1487         | 325          | 1188         | 0.86          | 7.4   22.2                  | 3.2   9.6                  | 3.4   | 95.8 | 95.8                              | 95.4              | 3.0425 | 982  | 102                   |             |                    |
|                         | V3EG 315 L4B | 315L  | Cast iron        | 200   268.2      | 1485         | 351.7        | 1286.2       | 0.86          | 7.5   22.5                  | 3.2   9.6                  | 3.4   | 96   | 95.6                              | 95.3              | 3.0425 | 1110 | 102                   |             |                    |

# IE3 – 6 POLES

## ELECTRICAL DATA

### 6 Poles IE3 aluminium motors

| Voltage                 | Motor type   | Frame | Housing material | Nominal data     |              |              |              |               | Current ratio               |                            |       |      | Breakdown torque ratio<br>Mk / Mn | Efficiency<br>n % |      |      | J<br>kgm <sup>2</sup> | Weight [kg] | Volume level dBA** |
|-------------------------|--------------|-------|------------------|------------------|--------------|--------------|--------------|---------------|-----------------------------|----------------------------|-------|------|-----------------------------------|-------------------|------|------|-----------------------|-------------|--------------------|
|                         |              |       |                  | Power<br>kW   HP | Speed<br>rpm | Current<br>A | Torque<br>Nm | cosφ<br>100 % | Current<br>Ia / In<br>Y   D | Torque<br>Ma / Mn<br>Y   D | 100 % | 75 % |                                   | 50 %              |      |      |                       |             |                    |
| <b>6 Poles 1000 rpm</b> |              |       |                  |                  |              |              |              |               |                             |                            |       |      |                                   |                   |      |      |                       |             |                    |
| 230/400 V               | V3EA 90 S6A  | 90S   | Aluminium        | 0.75   1.0       | 968          | 2.2          | 7.6          | 0.61          | 5.3                         | 15.9                       | 2.7   | 8.1  | 2.8                               | 79.7              | 79.7 | 75.4 | 0.0056                | 15          | 75                 |
|                         | V3EA 90 L6A  | 90L   | Aluminium        | 1.1   1.5        | 896          | 3.45         | 11.7         | 0.68          | 3.2                         | 9.6                        | 2.2   | 6.6  | 2.3                               | 81                | 75.9 | 75.4 | 0.0041                | 20          | 75                 |
|                         | V3EA 100 L6A | 100   | Aluminium        | 1.5   2.0        | 952          | 4.1          | 15           | 0.64          | 4.8                         | 14.4                       | 2.3   | 6.9  | 2.5                               | 82.5              | 78.1 | 75.1 | 0.008                 | 24          | 80                 |
|                         | V3EA 112 M6A | 112   | Aluminium        | 2.2   3.0        | 968          | 5.8          | 21.7         | 0.65          | 3.8                         | 11.4                       | 2.6   | 7.8  | 3.7                               | 84.3              | 83   | 78.1 | 0.0204                | 35          | 77                 |
| 400/690 V               | V3EA 132 S6A | 132S  | Aluminium        | 3   4.0          | 965          | 6.6          | 29.7         | 0.77          | 6.6                         | 19.8                       | 2.5   | 7.5  | 3.9                               | 85.6              | 86.6 | 85.2 | 0.0349                | 45          | 80                 |
|                         | V3EA 132 M6A | 132M  | Aluminium        | 4   5.4          | 970          | 8.8          | 39.4         | 0.74          | 7                           | 21                         | 2.5   | 7.5  | 3.6                               | 86.8              | 87.1 | 86.1 | 0.0446                | 55          | 80                 |
|                         | V3EA 132 M6B | 132M  | Aluminium        | 5.5   7.4        | 970          | 12.7         | 54.1         | 0.71          | 7.1                         | 21.3                       | 2.6   | 7.8  | 4.1                               | 88                | 87.5 | 83.6 | 0.0511                | 60          | 80                 |
|                         | V3EA 160 M6A | 160M  | Aluminium        | 7.5   10.1       | 975          | 16           | 73.5         | 0.76          | 6.9                         | 20.7                       | 2.7   | 8.1  | 3.6                               | 89.1              | 89   | 89.1 | 0.0719                | 85          | 84                 |
|                         | V3EA 160 L6A | 160L  | Aluminium        | 11   14.8        | 975          | 23.6         | 107.7        | 0.74          | 6.9                         | 20.7                       | 2.9   | 8.7  | 3.7                               | 90.3              | 91.2 | 88.9 | 0.1024                | 125         | 84                 |
|                         | V3EA 180 L6A | 180L  | Aluminium        | 15   20.1        | 975          | 33.4         | 145.9        | 0.71          | 6.1                         | 18.3                       | 1     | 3    | 3.3                               | 91.2              | 91   | 90.6 | 0.2347                | 160         | 87                 |
|                         | V3EA 200 L6A | 200   | Aluminium        | 18.5   24.8      | 982          | 42.5         | 179.9        | 0.69          | 5.7                         | 17.1                       | 2.6   | 7.8  | 2.7                               | 91.7              | 90.5 | 89.4 | 0.2257                | 240         | 87                 |
|                         | V3EA 200 L6B | 200   | Aluminium        | 22   29.5        | 980          | 47.6         | 214.4        | 0.76          | 6.3                         | 18.9                       | 1.3   | 3.9  | 3.3                               | 92.2              | 93.1 | 92.5 | 0.2528                | 240         | 87                 |
|                         | V3EA 200 L2A | 200   | Aluminium        | 30   40.2        | 2975         | 51.8         | 96           | 0.9           | 9.3                         | 27.9                       | 3.8   | 11.4 | 3.8                               | 93.3              | 92.8 | 89.5 | 0.1543                | 235         | 95                 |
|                         | V3EA 200 L2B | 200   | Aluminium        | 37   49.6        | 2975         | 64.7         | 118.8        | 0.88          | 8.4                         | 25.2                       | 3.5   | 10.5 | 3.62                              | 93.7              | 92.6 | 92.8 | 0.1754                | 258         | 95                 |

### 6 Poles IE3 cast iron motors

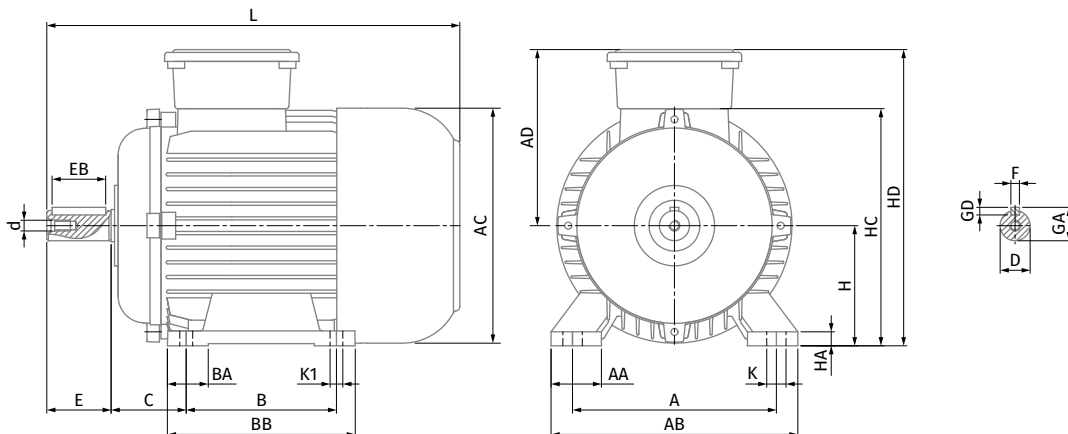
| Voltage                 | Motor type   | Frame | Housing material | Nominal data     |              |              |              |               | Current ratio               |                            |       |      | Breakdown torque ratio<br>Mk / Mn | Efficiency<br>n % |      |      | J<br>kgm <sup>2</sup> | Weight [kg] | Volume level dBA** |
|-------------------------|--------------|-------|------------------|------------------|--------------|--------------|--------------|---------------|-----------------------------|----------------------------|-------|------|-----------------------------------|-------------------|------|------|-----------------------|-------------|--------------------|
|                         |              |       |                  | Power<br>kW   HP | Speed<br>rpm | Current<br>A | Torque<br>Nm | cosφ<br>100 % | Current<br>Ia / In<br>Y   D | Torque<br>Ma / Mn<br>Y   D | 100 % | 75 % |                                   | 50 %              |      |      |                       |             |                    |
| <b>6 Poles 1000 rpm</b> |              |       |                  |                  |              |              |              |               |                             |                            |       |      |                                   |                   |      |      |                       |             |                    |
| 400/690 V               | V3EG 160 M6A | 160M  | Cast iron        | 7.5   10.1       | 975          | 16           | 73.5         | 0.76          | 6.9                         | 20.7                       | 2.7   | 8.1  | 3.6                               | 89.1              | 89   | 89.1 | 0.0719                | 85          | 84                 |
|                         | V3EG 160 L6A | 160L  | Cast iron        | 11   14.8        | 975          | 23.6         | 107.7        | 0.74          | 6.9                         | 20.7                       | 2.9   | 8.7  | 3.7                               | 90.3              | 91.2 | 88.9 | 0.1024                | 125         | 84                 |
|                         | V3EG 180 L6A | 180L  | Cast iron        | 15   20.1        | 975          | 33.4         | 145.9        | 0.71          | 6.1                         | 18.3                       | 1     | 3    | 3.3                               | 91.2              | 91   | 90.6 | 0.2347                | 160         | 87                 |
|                         | V3EG 200 L6A | 200   | Cast iron        | 18.5   24.8      | 982          | 42.5         | 179.9        | 0.69          | 5.7                         | 17.1                       | 2.6   | 7.8  | 2.7                               | 91.7              | 90.5 | 89.4 | 0.2257                | 240         | 87                 |
|                         | V3EG 200 L6B | 200   | Cast iron        | 22   29.5        | 980          | 47.6         | 214.4        | 0.76          | 6.3                         | 18.9                       | 1.3   | 3.9  | 3.3                               | 92.2              | 93.1 | 92.5 | 0.2528                | 240         | 87                 |
|                         | V3EG 225 M6A | 225   | Cast iron        | 30   40.2        | 988          | 59.5         | 290          | 0.78          | 7.6                         | 22.8                       | 2.7   | 8.1  | 2.7                               | 93.4              | 92.6 | 91.9 | 0.8147                | 335         | 90                 |
|                         | V3EG 250 M6A | 250   | Cast iron        | 37   49.6        | 985          | 74.3         | 358.7        | 0.77          | 7.2                         | 21.6                       | 3.1   | 9.3  | 3.6                               | 93.3              | 92.9 | 92   | 0.817                 | 460         | 90                 |
|                         | V3EG 280 S6A | 280   | Cast iron        | 45   60.3        | 987          | 92.7         | 435.5        | 0.75          | 7                           | 21                         | 3.2   | 9.6  | 3.6                               | 93                | 93.2 | 92.5 | 1.6047                | 605         | 95                 |
|                         | V3EG 280 M6A | 280   | Cast iron        | 55   73.8        | 987          | 114.7        | 532          | 0.74          | 7.2                         | 21.6                       | 3.3   | 9.9  | 3.5                               | 93.5              | 93.8 | 93.3 | 1.8828                | 640         | 95                 |
|                         | V3EG 315 S6A | 315S  | Cast iron        | 75   100.6       | 992          | 145.5        | 722          | 0.79          | 7.1                         | 21.3                       | 3.4   | 10.2 | 3.6                               | 94.2              | 94.2 | 93.3 | 3.0425                | 840         | 102                |
|                         | V3EG 315 M6A | 315M  | Cast iron        | 90   120.7       | 992          | 173.7        | 867          | 0.79          | 7.2                         | 21.6                       | 3.6   | 10.8 | 3.8                               | 95                | 95   | 94.5 | 3.4077                | 940         | 102                |
|                         | V3EG 315 M6B | 315M  | Cast iron        | 110   147.5      | 993          | 220.4        | 1058         | 0.76          | 7.3                         | 21.9                       | 3.5   | 10.5 | 3.7                               | 95                | 95   | 94.3 | 4.3276                | 880         | 102                |
|                         | V3EG 315 L6A | 315L  | Cast iron        | 132   177.0      | 989          | 255          | 1275         | 0.78          | 8.5                         | 25.5                       | 2.9   | 8.7  | 3.3                               | 95.8              | 95.5 | 95.1 | 4.3276                | 1050        | 103                |
|                         | V3EG 315 L2A | 315L  | Cast iron        | 185   248.1      | 2985         | 311          | 592          | 0.9           | 8                           | 24                         | 2     | 6    | 2.3                               | 95.8              | 96.1 | 95.4 | 1.9049                | 1085        | 102                |
|                         | V3EG 315 L2B | 315L  | Cast iron        | 200   268.2      | 2984         | 332          | 640          | 0.9           | 8.3                         | 24.9                       | 2     | 6    | 4.8                               | 96.4              | 96.1 | 95.9 | 1.9049                | 1085        | 102                |

# ALUMINIUM B3

# MECHANICAL DIMENSIONS

Aluminium IE3 B3 motor mechanical dimensions [mm]

| kW   | Pole | Frame size | Motor type | AB  | AC    | L     | B   | A   | H   | HD    | K    | C   | D  | E   | GA   | F  |
|------|------|------------|------------|-----|-------|-------|-----|-----|-----|-------|------|-----|----|-----|------|----|
| 0.75 | 2P   | Short      | V3EA80M2A  | 160 | 158.2 | 262.5 | 100 | 125 | 80  | 263   | 15   | 50  | 19 | 40  | 21.5 | 6  |
| 1.1  | 4P   | Medium     | V3EA80M4A  | 160 | 158.2 | 304.5 | 100 | 125 | 80  | 263   | 15   | 50  | 19 | 40  | 21.5 | 6  |
| 0.75 | 4P   | Medium     | V3EA80M4B  | 160 | 158.2 | 339.5 | 100 | 125 | 80  | 263   | 15   | 50  | 19 | 40  | 21.5 | 6  |
| 1.5  | 2P   | Std        | V3EA90S2A  | 180 | 178   | 338   | 100 | 140 | 90  | 230   | 15   | 56  | 24 | 50  | 27   | 8  |
| 2.2  | 2P   | Std        | V3EA90L2A  | 180 | 178   | 370   | 125 | 140 | 90  | 230   | 15   | 56  | 24 | 50  | 27   | 8  |
| 1.1  | 4P   | Std        | V3EA90S4A  | 180 | 178   | 338   | 100 | 140 | 90  | 230   | 15   | 56  | 24 | 50  | 27   | 8  |
| 1.5  | 4P   | Std        | V3EA90L4A  | 180 | 178   | 370   | 125 | 140 | 90  | 230   | 15   | 56  | 24 | 50  | 27   | 8  |
| 0.75 | 6P   | Std        | V3EA90S6A  | 180 | 178   | 338   | 100 | 140 | 90  | 230   | 15   | 56  | 24 | 50  | 27   | 8  |
| 1.1  | 6P   | Std        | V3EA90L6A  | 180 | 178   | 370   | 125 | 140 | 90  | 230   | 15   | 56  | 24 | 50  | 27   | 8  |
| 3    | 2P   | Short      | V3EA100L2A | 200 | 197   | 374.4 | 140 | 160 | 100 | 252.4 | 18   | 63  | 28 | 60  | 31   | 8  |
| 2.2  | 4P   | Short      | V3EA100L4A | 200 | 197   | 374.4 | 140 | 160 | 100 | 252.4 | 18   | 63  | 28 | 60  | 31   | 8  |
| 3    | 4P   | Long       | V3EA100L4B | 200 | 197   | 412   | 140 | 160 | 100 | 252.4 | 18   | 63  | 28 | 60  | 31   | 8  |
| 1.5  | 6P   | Long       | V3EA100L6A | 200 | 197   | 413   | 140 | 160 | 100 | 252.4 | 18   | 63  | 28 | 60  | 31   | 8  |
| 4    | 2P   | Std        | V3EA112M2A | 228 | 219   | 401.9 | 140 | 190 | 112 | 278   | 18   | 70  | 28 | 60  | 31   | 8  |
| 4    | 4P   | Std        | V3EA112M4A | 228 | 219   | 421.9 | 140 | 190 | 112 | 278   | 18   | 70  | 28 | 60  | 31   | 8  |
| 2.2  | 6P   | Std        | V3EA112M6A | 228 | 219   | 421.9 | 140 | 190 | 112 | 278   | 18   | 70  | 28 | 60  | 31   | 8  |
| 5.5  | 2P   | Std        | V3EA132S2A | 260 | 258.5 | 451.3 | 140 | 216 | 132 | 323.6 | 28   | 89  | 38 | 80  | 41   | 10 |
| 7.5  | 2P   | Std        | V3EA132S2B | 260 | 258.5 | 481.3 | 140 | 216 | 132 | 323.6 | 28   | 89  | 38 | 80  | 41   | 10 |
| 5.5  | 4P   | Std        | V3EA132S4A | 260 | 258.5 | 481.3 | 140 | 216 | 132 | 323.6 | 28   | 89  | 38 | 80  | 41   | 10 |
| 7.5  | 4P   | Std        | V3EA132M4A | 260 | 258.5 | 519.4 | 178 | 216 | 132 | 316.5 | 28   | 89  | 38 | 80  | 41   | 10 |
| 3    | 6P   | Std        | V3EA132S6A | 260 | 258.5 | 451.3 | 140 | 216 | 132 | 316.5 | 28   | 89  | 38 | 80  | 41   | 10 |
| 4    | 6P   | Std        | V3EA132M6A | 260 | 258.5 | 489.3 | 178 | 216 | 132 | 323.1 | 28   | 89  | 38 | 80  | 41   | 10 |
| 5.5  | 6P   | Std        | V3EA132M6B | 260 | 258.5 | 519.4 | 178 | 216 | 132 | 316.5 | 28   | 89  | 38 | 80  | 41   | 10 |
| 11   | 2P   | Std        | V3EA160M2A | 316 | 308   | 603.2 | 210 | 254 | 160 | 401.8 | 29.5 | 108 | 42 | 110 | 45   | 12 |
| 15   | 2P   | Std        | V3EA160M2B | 316 | 308   | 623.2 | 210 | 254 | 160 | 401.8 | 29.5 | 108 | 42 | 110 | 45   | 12 |
| 18.5 | 2P   | Std        | V3EA160M2  | 316 | 308   | 666.7 | 254 | 254 | 160 | 401.8 | 29.5 | 108 | 42 | 110 | 45   | 12 |
| 11   | 4P   | Std        | V3EA160M4A | 316 | 308   | 623.2 | 210 | 254 | 160 | 401.8 | 29.5 | 108 | 42 | 110 | 45   | 12 |
| 15   | 4P   | Std        | V3EA160L4A | 316 | 308   | 666.7 | 254 | 254 | 160 | 401.8 | 29.5 | 108 | 42 | 110 | 45   | 12 |
| 7.5  | 6P   | Std        | V3EA160M6A | 316 | 308   | 623.2 | 210 | 254 | 160 | 401.8 | 29.5 | 108 | 42 | 110 | 45   | 12 |
| 11   | 6P   | Std        | V3EA160L6A | 316 | 308   | 707.5 | 254 | 254 | 160 | 401.8 | 29.5 | 108 | 42 | 110 | 45   | 12 |
| 22   | 2P   | Std        | V3EA180M2A | 345 | 347.4 | 715.5 | 241 | 265 | 180 | 438.6 | 39   | 121 | 48 | 110 | 51.5 | 14 |
| 18.5 | 4P   | Std        | V3EA180M2A | 345 | 347.4 | 715.5 | 241 | 265 | 180 | 438.6 | 39   | 121 | 48 | 110 | 51.5 | 14 |
| 22   | 4P   | Std        | V3EA180L4A | 345 | 347.4 | 715.5 | 279 | 265 | 180 | 438.6 | 39   | 121 | 48 | 110 | 51.5 | 14 |
| 15   | 6P   | Std        | V3EA180L6A | 345 | 347.4 | 715.5 | 279 | 265 | 180 | 438.6 | 39   | 121 | 48 | 110 | 51.5 | 14 |
| 30   | 2P   | Std        | V3EA200L2A | 401 | 390.4 | 767   | 305 | 318 | 200 | 492.5 | 24   | 133 | 55 | 110 | 59   | 16 |
| 37   | 2P   | Std        | V3EA200L2B | 401 | 390.4 | 767   | 305 | 318 | 200 | 492.5 | 24   | 133 | 55 | 110 | 59   | 16 |
| 30   | 4P   | Std        | V3EA200L4A | 401 | 390.4 | 767   | 305 | 318 | 200 | 492.5 | 24   | 133 | 55 | 110 | 59   | 16 |
| 18.5 | 6P   | Std        | V3EA200L6A | 401 | 390.4 | 767   | 305 | 318 | 200 | 492.5 | 24   | 133 | 55 | 110 | 59   | 16 |
| 22   | 6P   | Std        | V3EA200L6B | 401 | 390.4 | 767   | 305 | 318 | 200 | 492.5 | 24   | 133 | 55 | 110 | 59   | 16 |

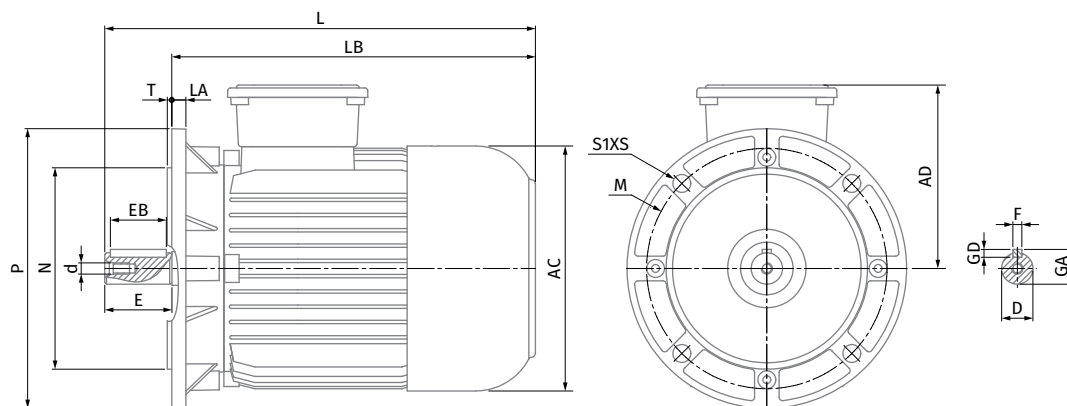


## ALUMINIUM B5

## MECHANICAL DIMENSIONS

Aluminium IE3 B5 motor mechanical dimensions [mm]

| kW   | Pole | Frame size | Motor type | AC    | D  | d   | E   | F  | GD | GA   | L     | LB    | M   | N   | P   | S    | T   |
|------|------|------------|------------|-------|----|-----|-----|----|----|------|-------|-------|-----|-----|-----|------|-----|
| 0.75 | 2P   | Short      | V3EA80M2A  | 158.2 | 19 | M5  | 40  | 6  | 6  | 21.5 | 262.5 | 222.5 | 165 | 130 | 200 | 12   | 3.5 |
| 1.1  | 2P   | Medium     | V3EA80M4A  | 158.2 | 19 | M6  | 40  | 6  | 6  | 21.5 | 304.5 | 222.5 | 165 | 130 | 200 | 12   | 3.5 |
| 0.75 | 4P   | Medium     | V3EA80M4B  | 158.2 | 19 | M6  | 40  | 6  | 6  | 21.5 | 339.5 | 222.5 | 165 | 130 | 200 | 12   | 3.5 |
| 1.5  | 2P   | Std        | V3EA90S2A  | 178   | 24 | M8  | 50  | 8  | 7  | 27   | 338   | 288   | 115 | 95  | 140 | 12   | 3   |
| 2.2  | 2P   | Std        | V3EA90L2A  | 178   | 24 | M8  | 50  | 8  | 7  | 27   | 370   | 320   | 115 | 95  | 140 | 12   | 3   |
| 1.1  | 4P   | Std        | V3EA90S4A  | 178   | 24 | M8  | 50  | 8  | 7  | 27   | 338   | 288   | 115 | 95  | 140 | 12   | 3   |
| 1.5  | 4P   | Std        | V3EA90L4A  | 178   | 24 | M8  | 50  | 8  | 7  | 27   | 370   | 320   | 115 | 95  | 140 | 12   | 3   |
| 0.75 | 6P   | Std        | V3EA90S6A  | 178   | 24 | M8  | 50  | 8  | 7  | 27   | 338   | 288   | 115 | 95  | 140 | 12   | 3   |
| 1.1  | 6P   | Std        | V3EA90L6A  | 178   | 24 | M8  | 50  | 8  | 7  | 27   | 370   | 320   | 115 | 95  | 140 | 12   | 3   |
| 3    | 2P   | Short      | V3EA100L2A | 197   | 28 | M10 | 60  | 8  | 7  | 31   | 374.4 | 314.4 | 130 | 110 | 160 | 14.5 | 3.5 |
| 2.2  | 4P   | Short      | V3EA100L4A | 197   | 28 | M10 | 60  | 8  | 7  | 31   | 374.4 | 314.4 | 130 | 110 | 160 | 14.5 | 3.5 |
| 3    | 4P   | Long       | V3EA100L4B | 197   | 28 | M10 | 60  | 8  | 7  | 31   | 412   | 352   | 130 | 110 | 160 | 14.5 | 3.5 |
| 1.5  | 6P   | Long       | V3EA100L6A | 197   | 28 | M10 | 60  | 8  | 7  | 31   | 412   | 352   | 130 | 110 | 160 | 14.5 | 3.5 |
| 4    | 2P   | Std        | V3EA112M2A | 219   | 28 | M10 | 60  | 8  | 7  | 31   | 401.9 | 341.8 | 130 | 110 | 160 | 14.5 | 3.5 |
| 4    | 4P   | Std        | V3EA112M4A | 219   | 28 | M10 | 60  | 8  | 7  | 31   | 421.9 | 361.9 | 130 | 110 | 160 | 14.5 | 3.5 |
| 2.2  | 6P   | Std        | V3EA112M6A | 219   | 28 | M10 | 60  | 8  | 7  | 31   | 421.9 | 361.9 | 130 | 110 | 160 | 14.5 | 3.5 |
| 5.5  | 2P   | Std        | V3EA132S2A | 258.5 | 38 | M12 | 80  | 10 | 8  | 41   | 451.3 | 371.3 | 165 | 130 | 200 | 14.5 | 3.5 |
| 7.5  | 2P   | Std        | V3EA132S2B | 258.5 | 38 | M12 | 80  | 10 | 8  | 41   | 481.3 | 401.3 | 165 | 130 | 200 | 14.5 | 3.5 |
| 5.5  | 4P   | Std        | V3EA132S4A | 258.5 | 38 | M12 | 80  | 10 | 8  | 41   | 481.3 | 401.3 | 165 | 130 | 200 | 14.5 | 3.5 |
| 7.5  | 4P   | Std        | V3EA132M4A | 258.5 | 38 | M12 | 80  | 10 | 8  | 41   | 519.4 | 439.4 | 165 | 130 | 200 | 14.5 | 3.5 |
| 3    | 6P   | Std        | V3EA132S6A | 258.5 | 38 | M12 | 80  | 10 | 8  | 41   | 451.3 | 371.3 | 165 | 130 | 200 | 14.5 | 3.5 |
| 4    | 6P   | Std        | V3EA132M6A | 258.5 | 38 | M12 | 80  | 10 | 8  | 41   | 489.3 | 409.3 | 165 | 130 | 200 | 14.5 | 3.5 |
| 5.5  | 6P   | Std        | V3EA132M6B | 258.5 | 38 | M12 | 80  | 10 | 8  | 41   | 519.4 | 439   | 165 | 130 | 200 | 14.5 | 3.5 |
| 11   | 2P   | Std        | V3EA160M2A | 308   | 42 | M16 | 110 | 12 | 8  | 45   | 603.2 | 493.2 | 300 | 250 | 350 | 18.5 | 5   |
| 15   | 2P   | Std        | V3EA160M2B | 308   | 42 | M16 | 110 | 12 | 8  | 45   | 623.2 | 513.2 | 300 | 250 | 360 | 18.5 | 5   |
| 18.5 | 2P   | Std        | V3EA160M2  | 308   | 42 | M16 | 110 | 12 | 8  | 45   | 666.7 | 556.7 | 300 | 250 | 360 | 18.5 | 5   |
| 11   | 4P   | Std        | V3EA160M4A | 308   | 42 | M16 | 110 | 12 | 8  | 45   | 623.2 | 513.2 | 300 | 250 | 350 | 18.5 | 5   |
| 15   | 4P   | Std        | V3EA160L4A | 308   | 42 | M16 | 110 | 12 | 8  | 45   | 666.7 | 556.7 | 300 | 250 | 360 | 18.5 | 5   |
| 7.5  | 6P   | Std        | V3EA160M6A | 308   | 42 | M16 | 110 | 12 | 8  | 45   | 623.2 | 513.2 | 300 | 250 | 360 | 18.5 | 5   |
| 11   | 6P   | Std        | V3EA160L6A | 308   | 42 | M16 | 110 | 12 | 8  | 45   | 707.5 | 597.5 | 300 | 250 | 360 | 18.5 | 5   |
| 22   | 2P   | Std        | V3EA180M2A | 347.4 | 48 | M16 | 110 | 14 | 9  | 51.5 | 715.5 | 605.5 | 300 | 250 | 350 | 18.5 | 5   |
| 18.5 | 4P   | Std        | V3EA180M2A | 347.4 | 48 | M16 | 110 | 14 | 9  | 51.5 | 715.5 | 605.5 | 300 | 250 | 350 | 18.5 | 5   |
| 22   | 4P   | Std        | V3EA180L4A | 347.4 | 48 | M16 | 110 | 14 | 9  | 51.5 | 715.5 | 605.5 | 300 | 250 | 350 | 18.5 | 5   |
| 15   | 6P   | Std        | V3EA180L6A | 347.4 | 48 | M16 | 110 | 14 | 9  | 51.5 | 715.5 | 605.5 | 300 | 250 | 350 | 18.5 | 5   |
| 30   | 2P   | Std        | V3EA200L2A | 390.4 | 55 | M20 | 110 | 16 | 10 | 59   | 767   | 657   | 350 | 300 | 400 | 18.5 | 5   |
| 37   | 2P   | Std        | V3EA200L2B | 390.4 | 55 | M20 | 110 | 16 | 10 | 59   | 767   | 657   | 350 | 300 | 400 | 18.5 | 5   |
| 30   | 4P   | Std        | V3EA200L4A | 390.4 | 55 | M20 | 110 | 16 | 10 | 59   | 767   | 657   | 350 | 300 | 400 | 18.5 | 5   |
| 18.5 | 6P   | Std        | V3EA200L6A | 390.4 | 55 | M20 | 110 | 16 | 10 | 59   | 767   | 657   | 350 | 300 | 400 | 18.5 | 5   |
| 22   | 6P   | Std        | V3EA200L6B | 390.4 | 55 | M20 | 110 | 16 | 10 | 59   | 767   | 657   | 350 | 300 | 400 | 18.5 | 5   |





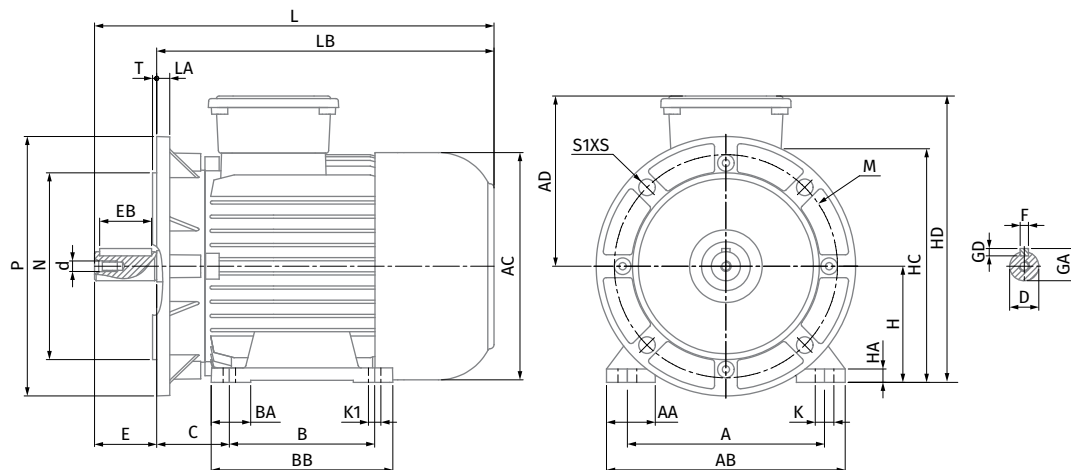
# ALUMINIUM B35

# MECHANICAL DIMENSIONS

Aluminium IE3 B35 motor mechanical dimensions [mm]

| kW   | Pole | Frame size | Motor type | A   | AB  | B   | BB  | BA | C   | E   | H   | HA   | HC    | HD    | K    | K1   | L     | M   | N   | P   | S    | T   |
|------|------|------------|------------|-----|-----|-----|-----|----|-----|-----|-----|------|-------|-------|------|------|-------|-----|-----|-----|------|-----|
| 0.75 | 2P   | Short      | V3EA80M2A  | 125 | 160 | 100 | 125 | 32 | 50  | 40  | 80  | 13   | 159   | 263   | 15   | 10   | 262.5 | 165 | 130 | 200 | 12   | 3.5 |
| 1.1  | 2P   | Medium     | V3EA80M4A  | 125 | 160 | 100 | 125 | 32 | 50  | 40  | 80  | 13   | 159   | 263   | 15   | 10   | 304.5 | 165 | 130 | 200 | 12   | 3.5 |
| 0.75 | 4P   | Medium     | V3EA80M4B  | 125 | 160 | 100 | 125 | 32 | 50  | 40  | 80  | 13   | 159   | 263   | 15   | 10   | 339.5 | 165 | 130 | 200 | 12   | 3.5 |
| 1.5  | 2P   | Std        | V3EA90S2A  | 140 | 180 | 100 | 130 | 34 | 56  | 50  | 90  | 12   | 175.5 | 230   | 15   | 10   | 338   | 115 | 95  | 140 | 12   | 3   |
| 2.2  | 2P   | Std        | V3EA90L2A  | 140 | 180 | 125 | 155 | 35 | 56  | 50  | 90  | 12   | 175.5 | 230   | 15   | 10   | 370   | 115 | 95  | 140 | 12   | 3   |
| 1.1  | 4P   | Std        | V3EA90S4A  | 140 | 180 | 100 | 130 | 34 | 56  | 50  | 90  | 12   | 175.5 | 230   | 15   | 10   | 338   | 115 | 95  | 140 | 12   | 3   |
| 1.5  | 4P   | Std        | V3EA90L4A  | 140 | 180 | 125 | 130 | 34 | 56  | 50  | 90  | 12   | 175.5 | 230   | 15   | 10   | 370   | 115 | 95  | 140 | 12   | 3   |
| 0.75 | 6P   | Std        | V3EA90S6A  | 140 | 180 | 100 | 130 | 34 | 56  | 50  | 90  | 12   | 175.5 | 230   | 15   | 10   | 338   | 115 | 95  | 140 | 12   | 3   |
| 1.1  | 6P   | Std        | V3EA90L6A  | 140 | 180 | 125 | 130 | 34 | 56  | 50  | 90  | 12   | 175.5 | 230   | 15   | 10   | 370   | 115 | 95  | 140 | 12   | 3   |
| 3    | 2P   | Short      | V3EA100L2A | 160 | 200 | 140 | 175 | 40 | 63  | 60  | 100 | 13   | 197.5 | 252.4 | 18   | 12   | 374.4 | 130 | 110 | 160 | 14.5 | 3.5 |
| 2.2  | 4P   | Short      | V3EA100L4A | 160 | 200 | 140 | 175 | 40 | 63  | 60  | 100 | 13   | 197.5 | 252.4 | 18   | 12   | 374.4 | 130 | 110 | 160 | 14.5 | 3.5 |
| 3    | 4P   | Long       | V3EA100L4B | 160 | 200 | 140 | 175 | 40 | 63  | 60  | 100 | 13   | 197.5 | 252.4 | 18   | 12   | 412   | 130 | 110 | 160 | 14.5 | 3.5 |
| 1.5  | 6P   | Long       | V3EA100L6A | 160 | 200 | 140 | 175 | 40 | 63  | 60  | 100 | 13   | 197.5 | 252.4 | 18   | 12   | 412   | 130 | 110 | 160 | 14.5 | 3.6 |
| 4    | 2P   | Std        | V3EA112M2A | 190 | 228 | 140 | 175 | 38 | 70  | 60  | 112 | 13   | 221.5 | 278   | 18   | 12   | 401.9 | 130 | 110 | 160 | 14.5 | 3.5 |
| 4    | 4P   | Std        | V3EA112M4A | 190 | 228 | 140 | 175 | 38 | 70  | 60  | 112 | 13   | 221.5 | 278   | 18   | 12   | 421.9 | 130 | 110 | 160 | 14.5 | 3.5 |
| 2.2  | 6P   | Std        | V3EA112M6A | 190 | 228 | 140 | 175 | 38 | 70  | 60  | 112 | 13   | 221.5 | 278   | 18   | 12   | 421.9 | 130 | 110 | 160 | 14.5 | 3.5 |
| 5.5  | 2P   | Std        | V3EA132S2A | 216 | 260 | 140 | 180 | 37 | 89  | 80  | 132 | 17.5 | 263   | 323.6 | 28   | 12   | 451.3 | 165 | 130 | 200 | 14.5 | 3.5 |
| 7.5  | 2P   | Std        | V3EA132S2B | 216 | 260 | 140 | 180 | 37 | 89  | 80  | 132 | 17.5 | 263   | 323.6 | 28   | 12   | 481.3 | 165 | 130 | 200 | 14.5 | 3.5 |
| 5.5  | 4P   | Std        | V3EA132S4A | 216 | 260 | 140 | 180 | 37 | 89  | 80  | 132 | 17.5 | 263   | 323.6 | 28   | 12   | 481.3 | 165 | 130 | 200 | 14.5 | 3.5 |
| 7.5  | 4P   | Std        | V3EA132M4A | 216 | 260 | 178 | 218 | 37 | 89  | 80  | 132 | 17.5 | 263   | 316.5 | 28   | 12   | 519.4 | 165 | 130 | 200 | 14.5 | 3.5 |
| 3    | 6P   | Std        | V3EA132S6A | 216 | 260 | 140 | 218 | 37 | 89  | 80  | 132 | 17.5 | 263   | 316.5 | 28   | 12   | 451.3 | 165 | 130 | 200 | 14.5 | 3.5 |
| 4    | 6P   | Std        | V3EA132M6A | 216 | 260 | 178 | 218 | 37 | 89  | 80  | 132 | 17.5 | 263   | 323.1 | 28   | 12   | 489.3 | 165 | 130 | 200 | 14.5 | 3.5 |
| 5.5  | 6P   | Std        | V3EA132M6B | 216 | 260 | 178 | 218 | 37 | 89  | 80  | 132 | 17.5 | 263   | 316.5 | 28   | 12   | 519.4 | 165 | 130 | 200 | 14.5 | 3.5 |
| 11   | 2P   | Std        | V3EA160M2A | 254 | 316 | 210 | 264 | 52 | 108 | 110 | 160 | 23   | 319   | 401.8 | 29.5 | 14.5 | 603.2 | 300 | 250 | 350 | 18.5 | 5   |
| 15   | 2P   | Std        | V3EA160M2B | 254 | 316 | 210 | 264 | 52 | 108 | 110 | 160 | 23   | 319   | 401.8 | 29.5 | 14.5 | 623.2 | 300 | 250 | 360 | 18.5 | 5   |
| 18.5 | 2P   | Std        | V3EA160M2  | 254 | 316 | 254 | 309 | 52 | 108 | 110 | 160 | 23   | 319   | 401.8 | 29.5 | 14.5 | 666.7 | 300 | 250 | 360 | 18.5 | 5   |
| 11   | 4P   | Std        | V3EA160M4A | 254 | 316 | 210 | 264 | 52 | 108 | 110 | 160 | 23   | 319   | 401.8 | 29.5 | 14.5 | 623.2 | 300 | 250 | 350 | 18.5 | 5   |
| 15   | 4P   | Std        | V3EA160L4A | 254 | 316 | 254 | 264 | 52 | 108 | 110 | 160 | 23   | 319   | 401.8 | 29.5 | 14.5 | 666.7 | 300 | 250 | 360 | 18.5 | 5   |
| 7.5  | 6P   | Std        | V3EA160M6A | 254 | 316 | 210 | 264 | 52 | 108 | 110 | 160 | 23   | 319   | 401.8 | 29.5 | 14.5 | 623.2 | 300 | 250 | 360 | 18.5 | 5   |
| 11   | 6P   | Std        | V3EA160L6A | 254 | 316 | 254 | 309 | 52 | 108 | 110 | 160 | 23   | 319   | 401.8 | 29.5 | 14.5 | 707.5 | 300 | 250 | 360 | 18.5 | 5   |
| 22   | 2P   | Std        | V3EA180M2A | 265 | 345 | 241 | 291 | 72 | 121 | 110 | 180 | 25   | 356.8 | 438.6 | 39   | 14.5 | 715.5 | 300 | 250 | 350 | 18.5 | 5   |
| 18.5 | 4P   | Std        | V3EA180M2A | 265 | 345 | 241 | 291 | 72 | 121 | 110 | 180 | 25   | 356.8 | 438.6 | 39   | 14.5 | 715.5 | 300 | 250 | 350 | 18.5 | 5   |
| 22   | 4P   | Std        | V3EA180L4A | 265 | 345 | 279 | 329 | 72 | 121 | 110 | 180 | 25   | 356.8 | 438.6 | 39   | 14.5 | 715.5 | 300 | 250 | 350 | 18.5 | 5   |
| 15   | 6P   | Std        | V3EA180L6A | 265 | 345 | 279 | 329 | 72 | 121 | 110 | 180 | 25   | 356.8 | 438.6 | 39   | 14.5 | 715.5 | 300 | 250 | 350 | 18.5 | 5   |
| 30   | 2P   | Std        | V3EA200L2A | 318 | 401 | 305 | 357 | 72 | 133 | 110 | 200 | 26   | 403   | 492.5 | 24   | 18.5 | 767   | 350 | 300 | 400 | 18.5 | 5   |
| 37   | 2P   | Std        | V3EA200L2B | 318 | 401 | 305 | 357 | 72 | 133 | 110 | 200 | 26   | 403   | 492.5 | 24   | 18.5 | 767   | 350 | 300 | 400 | 18.5 | 5   |
| 30   | 4P   | Std        | V3EA200L4A | 318 | 401 | 305 | 357 | 72 | 133 | 110 | 200 | 26   | 403   | 492.5 | 24   | 18.5 | 767   | 350 | 300 | 400 | 18.5 | 5   |
| 18.5 | 6P   | Std        | V3EA200L6A | 318 | 401 | 305 | 357 | 72 | 133 | 110 | 200 | 26   | 403   | 492.5 | 24   | 18.5 | 767   | 350 | 300 | 400 | 18.5 | 5   |
| 22   | 6P   | Std        | V3EA200L6B | 318 | 401 | 305 | 357 | 72 | 133 | 110 | 200 | 26   | 403   | 492.5 | 24   | 18.5 | 767   | 350 | 300 | 400 | 18.5 | 5   |

\*Please look at the table B5 for the dimensions D, d, F, GD, GA, AC and LB.

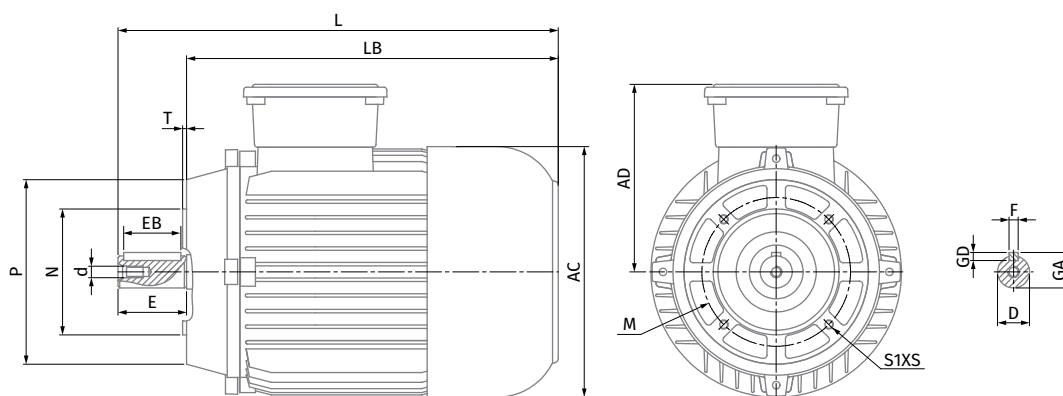


## ALUMINIUM B14

## MECHANICAL DIMENSIONS

Aluminium IE3 B14 motor mechanical dimensions [mm]

| kW   | Pole | Frame size | Motor type | AC    | D  | d   | E   | F  | GD | GA   | L     | LB    | M   | N   | P   | S   | T   |
|------|------|------------|------------|-------|----|-----|-----|----|----|------|-------|-------|-----|-----|-----|-----|-----|
| 0.75 | 2P   | Short      | V3EA80M2A  | 158.2 | 19 | M5  | 40  | 6  | 6  | 21.5 | 262.5 | 222.5 | 100 | 80  | 120 | M6  | 3   |
| 1.1  | 2P   | Medium     | V3EA80M4A  | 158.2 | 19 | M6  | 40  | 6  | 6  | 21.5 | 304.5 | 222.5 | 100 | 80  | 120 | M6  | 3   |
| 0.75 | 4P   | Medium     | V3EA80M4B  | 158.2 | 19 | M6  | 40  | 6  | 6  | 21.5 | 339.5 | 222.5 | 100 | 80  | 120 | M6  | 3   |
| 1.5  | 2P   | Std        | V3EA90S2A  | 178   | 24 | M8  | 50  | 8  | 7  | 27   | 338   | 288   | 115 | 95  | 140 | M8  | 3   |
| 2.2  | 2P   | Std        | V3EA90L2A  | 178   | 24 | M8  | 50  | 8  | 7  | 27   | 370   | 320   | 115 | 95  | 140 | M8  | 3   |
| 1.1  | 4P   | Std        | V3EA90S4A  | 178   | 24 | M8  | 50  | 8  | 7  | 27   | 338   | 288   | 115 | 95  | 140 | M8  | 3   |
| 1.5  | 4P   | Std        | V3EA90L4A  | 178   | 24 | M8  | 50  | 8  | 7  | 27   | 370   | 320   | 115 | 95  | 140 | M8  | 3   |
| 0.75 | 6P   | Std        | V3EA90S6A  | 178   | 24 | M8  | 50  | 8  | 7  | 27   | 338   | 288   | 115 | 95  | 140 | M8  | 3   |
| 1.1  | 6P   | Std        | V3EA90L6A  | 178   | 24 | M8  | 50  | 8  | 7  | 27   | 370   | 320   | 115 | 95  | 140 | M8  | 3   |
| 3    | 2P   | Short      | V3EA100L2A | 197   | 28 | M10 | 60  | 8  | 7  | 31   | 374.4 | 314.4 | 130 | 110 | 160 | M8  | 3.5 |
| 2.2  | 4P   | Short      | V3EA100L4A | 197   | 28 | M10 | 60  | 8  | 7  | 31   | 374.4 | 314.4 | 130 | 110 | 160 | M8  | 3.5 |
| 3    | 4P   | Long       | V3EA100L4B | 197   | 28 | M10 | 60  | 8  | 7  | 31   | 412   | 352   | 130 | 110 | 160 | M8  | 3.5 |
| 1.5  | 6P   | Long       | V3EA100L6A | 197   | 28 | M10 | 60  | 8  | 7  | 31   | 412   | 352   | 130 | 110 | 160 | M8  | 3.5 |
| 4    | 2P   | Std        | V3EA112M2A | 219   | 28 | M10 | 60  | 8  | 7  | 31   | 401.9 | 341.8 | 130 | 110 | 160 | M8  | 3.5 |
| 4    | 4P   | Std        | V3EA112M4A | 219   | 28 | M10 | 60  | 8  | 7  | 31   | 421.9 | 361.9 | 130 | 110 | 160 | M8  | 3.5 |
| 2.2  | 6P   | Std        | V3EA112M6A | 219   | 28 | M10 | 60  | 8  | 7  | 31   | 421.9 | 361.9 | 130 | 110 | 160 | M8  | 3.5 |
| 5.5  | 2P   | Std        | V3EA132S2A | 258.5 | 38 | M12 | 80  | 10 | 8  | 41   | 451.3 | 371.3 | 165 | 215 | 200 | M10 | 3.5 |
| 7.5  | 2P   | Std        | V3EA132S2B | 258.5 | 38 | M12 | 80  | 10 | 8  | 41   | 481.3 | 401.3 | 165 | 215 | 200 | M10 | 3.5 |
| 5.5  | 4P   | Std        | V3EA132S4A | 258.5 | 38 | M12 | 80  | 10 | 8  | 41   | 481.3 | 401.3 | 165 | 215 | 200 | M10 | 3.5 |
| 7.5  | 4P   | Std        | V3EA132M4A | 258.5 | 38 | M12 | 80  | 10 | 8  | 41   | 519.4 | 439.4 | 165 | 215 | 200 | M10 | 3.5 |
| 3    | 6P   | Std        | V3EA132S6A | 258.5 | 38 | M12 | 80  | 10 | 8  | 41   | 451.3 | 371.3 | 165 | 215 | 200 | M10 | 3.5 |
| 4    | 6P   | Std        | V3EA132M6A | 258.5 | 38 | M12 | 80  | 10 | 8  | 41   | 489.3 | 409.3 | 165 | 215 | 200 | M10 | 3.5 |
| 5.5  | 6P   | Std        | V3EA132M6B | 258.5 | 38 | M12 | 80  | 10 | 8  | 41   | 519.4 | 439   | 165 | 215 | 200 | M10 | 3.5 |
| 11   | 2P   | Std        | V3EA160M2A | 308   | 42 | M16 | 110 | 12 | 8  | 45   | 603.2 | 493.2 | 215 | 180 | 250 | M12 | 4   |
| 15   | 2P   | Std        | V3EA160M2B | 308   | 42 | M16 | 110 | 12 | 8  | 45   | 623.2 | 513.2 | 215 | 180 | 250 | M12 | 4   |
| 18.5 | 2P   | Std        | V3EA160M2  | 308   | 42 | M16 | 110 | 12 | 8  | 45   | 666.7 | 556.7 | 215 | 180 | 250 | M12 | 4   |
| 11   | 4P   | Std        | V3EA160M4A | 308   | 42 | M16 | 110 | 12 | 8  | 45   | 623.2 | 513.2 | 215 | 180 | 250 | M12 | 4   |
| 15   | 4P   | Std        | V3EA160L4A | 308   | 42 | M16 | 110 | 12 | 8  | 45   | 666.7 | 556.7 | 215 | 180 | 250 | M12 | 4   |
| 7.5  | 6P   | Std        | V3EA160M6A | 308   | 42 | M16 | 110 | 12 | 8  | 45   | 623.2 | 513.2 | 215 | 180 | 250 | M12 | 4   |
| 11   | 6P   | Std        | V3EA160L6A | 308   | 42 | M16 | 110 | 12 | 8  | 45   | 707.5 | 597.5 | 215 | 180 | 250 | M12 | 4   |



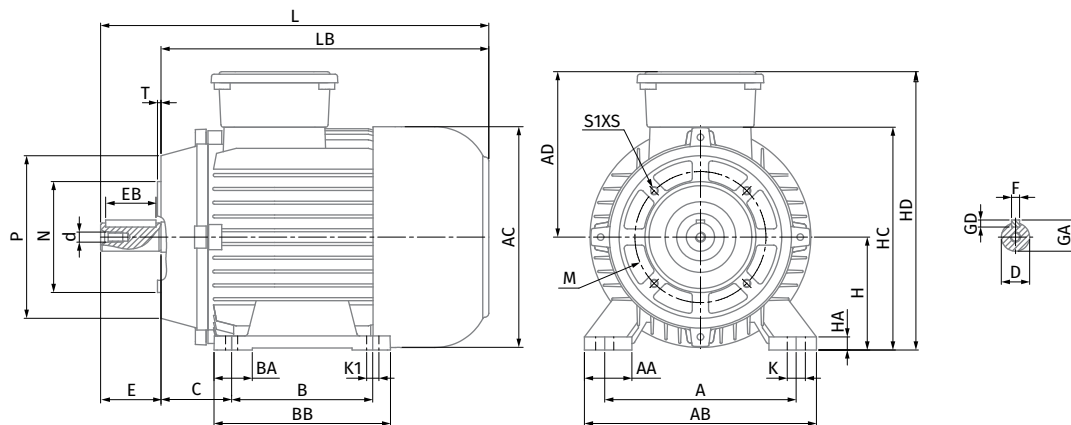
# ALUMINIUM B34

# MECHANICAL DIMENSIONS

## Aluminium IE3 B34 motor mechanical dimensions [mm]

| kW   | Pole | Frame size | Motor type | A   | AB  | B   | BB  | BA | C   | E   | H   | HA   | HC    | HD    | K    | K1   | L     | M   | N   | P   | S   | T   |
|------|------|------------|------------|-----|-----|-----|-----|----|-----|-----|-----|------|-------|-------|------|------|-------|-----|-----|-----|-----|-----|
| 0.75 | 2P   | Short      | V3EA80M2A  | 125 | 160 | 100 | 125 | 32 | 50  | 40  | 80  | 13   | 159   | 263   | 15   | 10   | 262.5 | 100 | 80  | 120 | M6  | 3   |
| 1.1  | 2P   | Medium     | V3EA80M4A  | 125 | 160 | 100 | 125 | 32 | 50  | 40  | 80  | 13   | 159   | 263   | 15   | 10   | 304.5 | 100 | 80  | 120 | M6  | 3   |
| 0.75 | 4P   | Medium     | V3EA80M4B  | 125 | 160 | 100 | 125 | 32 | 50  | 40  | 80  | 13   | 159   | 263   | 15   | 10   | 339.5 | 100 | 80  | 120 | M6  | 3   |
| 1.5  | 2P   | Std        | V3EA90S2A  | 140 | 180 | 100 | 130 | 34 | 56  | 50  | 90  | 12   | 175.5 | 230   | 15   | 10   | 338   | 115 | 95  | 140 | M8  | 3   |
| 2.2  | 2P   | Std        | V3EA90L2A  | 140 | 180 | 125 | 155 | 35 | 56  | 50  | 90  | 12   | 175.5 | 230   | 15   | 10   | 370   | 115 | 95  | 140 | M8  | 3   |
| 1.1  | 4P   | Std        | V3EA90S4A  | 140 | 180 | 100 | 130 | 34 | 56  | 50  | 90  | 12   | 175.5 | 230   | 15   | 10   | 338   | 115 | 95  | 140 | M8  | 3   |
| 1.5  | 4P   | Std        | V3EA90L4A  | 140 | 180 | 125 | 130 | 34 | 56  | 50  | 90  | 12   | 175.5 | 230   | 15   | 10   | 370   | 115 | 95  | 140 | M8  | 3   |
| 0.75 | 6P   | Std        | V3EA90S6A  | 140 | 180 | 100 | 130 | 34 | 56  | 50  | 90  | 12   | 175.5 | 230   | 15   | 10   | 338   | 115 | 95  | 140 | M8  | 3   |
| 1.1  | 6P   | Std        | V3EA90L6A  | 140 | 180 | 125 | 130 | 34 | 56  | 50  | 90  | 12   | 175.5 | 230   | 15   | 10   | 370   | 115 | 95  | 140 | M8  | 3   |
| 3    | 2P   | Short      | V3EA100L2A | 160 | 200 | 140 | 175 | 40 | 63  | 60  | 100 | 13   | 197.5 | 252.4 | 18   | 12   | 374.4 | 130 | 110 | 160 | M8  | 3.5 |
| 2.2  | 4P   | Short      | V3EA100L4A | 160 | 200 | 140 | 175 | 40 | 63  | 60  | 100 | 13   | 197.5 | 252.4 | 18   | 12   | 374.4 | 130 | 110 | 160 | M8  | 3.5 |
| 3    | 4P   | Long       | V3EA100L4B | 160 | 200 | 140 | 175 | 40 | 63  | 60  | 100 | 13   | 197.5 | 252.4 | 18   | 12   | 412   | 130 | 110 | 160 | M8  | 3.5 |
| 1.5  | 6P   | Long       | V3EA100L6A | 160 | 200 | 140 | 175 | 40 | 63  | 60  | 100 | 13   | 197.5 | 252.4 | 18   | 12   | 412   | 130 | 110 | 160 | M8  | 3.5 |
| 4    | 2P   | Std        | V3EA112M2A | 190 | 228 | 140 | 175 | 38 | 70  | 60  | 112 | 13   | 221.5 | 278   | 18   | 12   | 401.9 | 130 | 110 | 160 | M8  | 3.5 |
| 4    | 4P   | Std        | V3EA112M4A | 190 | 228 | 140 | 175 | 38 | 70  | 60  | 112 | 13   | 221.5 | 278   | 18   | 12   | 421.9 | 130 | 110 | 160 | M8  | 3.5 |
| 2.2  | 6P   | Std        | V3EA112M6A | 190 | 228 | 140 | 175 | 38 | 70  | 60  | 112 | 13   | 221.5 | 278   | 18   | 12   | 421.9 | 130 | 110 | 160 | M8  | 3.5 |
| 5.5  | 2P   | Std        | V3EA132S2A | 216 | 260 | 140 | 180 | 37 | 89  | 80  | 132 | 17.5 | 263   | 323.6 | 28   | 12   | 451.3 | 165 | 215 | 200 | M10 | 3.5 |
| 7.5  | 2P   | Std        | V3EA132S2B | 216 | 260 | 140 | 180 | 37 | 89  | 80  | 132 | 17.5 | 263   | 323.6 | 28   | 12   | 481.3 | 165 | 215 | 200 | M10 | 3.5 |
| 5.5  | 4P   | Std        | V3EA132S4A | 216 | 260 | 140 | 180 | 37 | 89  | 80  | 132 | 17.5 | 263   | 323.6 | 28   | 12   | 481.3 | 165 | 215 | 200 | M10 | 3.5 |
| 7.5  | 4P   | Std        | V3EA132M4A | 216 | 260 | 178 | 218 | 37 | 89  | 80  | 132 | 17.5 | 263   | 316.5 | 28   | 12   | 519.4 | 165 | 215 | 200 | M10 | 3.5 |
| 3    | 6P   | Std        | V3EA132S6A | 216 | 260 | 140 | 218 | 37 | 89  | 80  | 132 | 17.5 | 263   | 316.5 | 28   | 12   | 451.3 | 165 | 215 | 200 | M10 | 3.5 |
| 4    | 6P   | Std        | V3EA132M6A | 216 | 260 | 178 | 218 | 37 | 89  | 80  | 132 | 17.5 | 263   | 323.1 | 28   | 12   | 489.3 | 165 | 215 | 200 | M10 | 3.5 |
| 5.5  | 6P   | Std        | V3EA132M6B | 216 | 260 | 178 | 218 | 37 | 89  | 80  | 132 | 17.5 | 263   | 316.5 | 28   | 12   | 519.4 | 165 | 215 | 200 | M10 | 3.5 |
| 11   | 2P   | Std        | V3EA160M2A | 254 | 316 | 210 | 264 | 52 | 108 | 110 | 160 | 23   | 319   | 401.8 | 29.5 | 14.5 | 603.2 | 215 | 180 | 250 | M12 | 4   |
| 15   | 2P   | Std        | V3EA160M2B | 254 | 316 | 210 | 264 | 52 | 108 | 110 | 160 | 23   | 319   | 401.8 | 29.5 | 14.5 | 623.2 | 215 | 180 | 250 | M12 | 4   |
| 18.5 | 2P   | Std        | V3EA160M2  | 254 | 316 | 254 | 309 | 52 | 108 | 110 | 160 | 23   | 319   | 401.8 | 29.5 | 14.5 | 666.7 | 215 | 180 | 250 | M12 | 4   |
| 11   | 4P   | Std        | V3EA160M4A | 254 | 316 | 210 | 264 | 52 | 108 | 110 | 160 | 23   | 319   | 401.8 | 29.5 | 14.5 | 623.2 | 215 | 180 | 250 | M12 | 4   |
| 15   | 4P   | Std        | V3EA160L4A | 254 | 316 | 254 | 264 | 52 | 108 | 110 | 160 | 23   | 319   | 401.8 | 29.5 | 14.5 | 666.7 | 215 | 180 | 250 | M12 | 4   |
| 7.5  | 6P   | Std        | V3EA160M6A | 254 | 316 | 210 | 264 | 52 | 108 | 110 | 160 | 23   | 319   | 401.8 | 29.5 | 14.5 | 623.2 | 215 | 180 | 250 | M12 | 4   |
| 11   | 6P   | Std        | V3EA160L6A | 254 | 316 | 254 | 309 | 52 | 108 | 110 | 160 | 23   | 319   | 401.8 | 29.5 | 14.5 | 707.5 | 215 | 180 | 250 | M12 | 4   |

\*Please look at the table B5 for the dimensions D, d, F, G, D, GA, AC and LB.

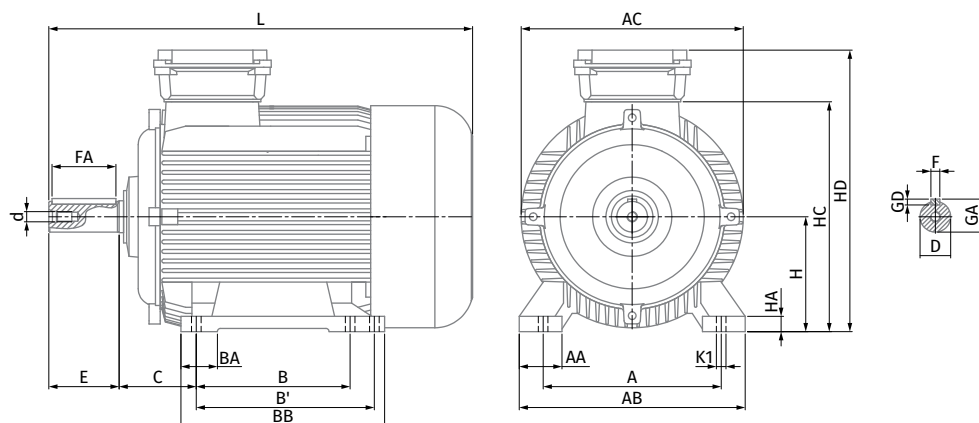


## CAST IRON B3

## MECHANICAL DIMENSIONS

Cast iron IE3 B3 motor mechanical dimensions [mm]

| kW   | Pole | Frame size | Motor type | AB    | AC    | L      | B   | A   | H   | HD    | K    | C   | D  | E   | GA   | F  |
|------|------|------------|------------|-------|-------|--------|-----|-----|-----|-------|------|-----|----|-----|------|----|
| 5.5  | 2P   | Std        | V3EG132S2A | 260   | 258.5 | 481    | 140 | 216 | 132 | 323.6 | 12   | 89  | 38 | 80  | 41   | 10 |
| 7.5  | 2P   | Std        | V3EG132S2B | 260   | 258.5 | 481    | 140 | 216 | 132 | 323.6 | 12   | 89  | 38 | 80  | 41   | 10 |
| 5.5  | 4P   | Std        | V3EG132S4A | 260   | 258.5 | 455.7  | 140 | 216 | 132 | 316.5 | 12   | 89  | 38 | 80  | 41   | 10 |
| 7.5  | 4P   | Std        | V3EG132M4A | 260   | 258.5 | 520    | 140 | 216 | 132 | 323.6 | 12   | 89  | 38 | 80  | 41   | 10 |
| 3    | 6P   | Std        | V3EG132S6A | 260   | 258.5 | 455.7  | 140 | 216 | 132 | 316.5 | 12   | 89  | 38 | 80  | 41   | 10 |
| 4    | 6P   | Std        | V3EG132M6A | 260   | 258.5 | 520    | 140 | 216 | 132 | 323.6 | 12   | 89  | 38 | 80  | 41   | 10 |
| 5.5  | 6P   | Std        | V3EG132M6B | 260   | 258.5 | 520    | 140 | 216 | 132 | 323.6 | 12   | 89  | 38 | 80  | 41   | 10 |
| 11   | 2P   | Std        | V3EG160M2A | 316   | 308   | 607.2  | 210 | 254 | 160 | 401.8 | 15   | 108 | 42 | 110 | 45   | 12 |
| 15   | 2P   | Std        | V3EG160M2B | 316   | 308   | 637.2  | 210 | 254 | 160 | 401.8 | 15   | 108 | 42 | 110 | 45   | 12 |
| 18   | 2P   | Std        | V3EG160L2A | 316   | 308   | 681.2  | 254 | 254 | 160 | 401.8 | 15   | 108 | 42 | 110 | 45   | 12 |
| 11   | 4P   | Std        | V3EG160M4A | 316   | 308   | 637.2  | 210 | 254 | 160 | 401.8 | 15   | 108 | 42 | 110 | 45   | 12 |
| 15   | 4P   | Std        | V3EG160L4A | 316   | 308   | 681.2  | 254 | 254 | 160 | 401.8 | 15   | 108 | 42 | 110 | 45   | 12 |
| 7.5  | 6P   | Std        | V3EG160M6A | 316   | 308   | 637.2  | 210 | 254 | 160 | 401.8 | 15   | 108 | 42 | 110 | 45   | 12 |
| 11   | 6P   | Std        | V3EG160L6A | 316   | 308   | 707.5  | 254 | 254 | 160 | 401.8 | 15   | 108 | 42 | 110 | 45   | 12 |
| 22   | 2P   | Std        | V3EG180M2A | 344.8 | 347.4 | 717    | 241 | 265 | 180 | 441.8 | 14.5 | 121 | 48 | 110 | 51.5 | 14 |
| 18.5 | 4P   | Std        | V3EG180M4A | 344.8 | 347.4 | 717    | 241 | 279 | 180 | 441.8 | 14.5 | 121 | 48 | 110 | 51.5 | 14 |
| 22   | 4P   | Std        | V3EG180L4A | 344.8 | 347.4 | 717    | 279 | 279 | 180 | 441.8 | 14.5 | 121 | 48 | 110 | 51.5 | 14 |
| 15   | 6P   | Std        | V3EG180L6A | 344.8 | 347.4 | 717    | 279 | 279 | 180 | 441.8 | 14.5 | 121 | 48 | 110 | 51.5 | 14 |
| 30   | 2P   | Std        | V3EG200L2A | 401   | 390.4 | 769.2  | 305 | 318 | 200 | 492.5 | 24   | 133 | 55 | 110 | 59   | 16 |
| 37   | 2P   | Std        | V3EG200L2B | 401   | 390.4 | 769.2  | 305 | 318 | 200 | 492.5 | 24   | 133 | 55 | 110 | 59   | 16 |
| 30   | 4P   | Std        | V3EG200L4A | 401   | 390.4 | 769.2  | 305 | 318 | 200 | 492.5 | 24   | 133 | 55 | 110 | 59   | 16 |
| 18.5 | 6P   | Std        | V3EG200L6A | 401   | 390.4 | 769.2  | 305 | 318 | 200 | 492.5 | 24   | 133 | 55 | 110 | 59   | 16 |
| 22   | 6P   | Std        | V3EG200L6B | 401   | 390.4 | 769.2  | 305 | 318 | 200 | 492.5 | 24   | 133 | 55 | 110 | 59   | 16 |
| 45   | 2P   | Std        | V3EG225M2A | 441   | 434.4 | 831    | 311 | 356 | 225 | 523   | 18.5 | 149 | 55 | 110 | 59   | 16 |
| 37   | 4P   | Std        | V3EG225S4A | 441   | 434.4 | 861    | 286 | 356 | 225 | 523   | 18.5 | 149 | 60 | 140 | 64   | 18 |
| 45   | 4P   | Std        | V3EG225M4A | 441   | 434.4 | 861    | 311 | 356 | 225 | 523   | 18.5 | 149 | 60 | 140 | 64   | 18 |
| 30   | 6P   | Std        | V3EG225M6A | 441   | 434.4 | 861    | 311 | 356 | 225 | 523   | 18.5 | 149 | 60 | 140 | 64   | 18 |
| 55   | 2P   | Std        | V3EG250M2A | 484   | 434.4 | 920.5  | 349 | 406 | 250 | 544   | 24   | 168 | 60 | 140 | 64   | 18 |
| 55   | 4P   | Std        | V3EG250M4A | 484   | 434.4 | 890.5  | 349 | 406 | 250 | 544   | 24   | 168 | 65 | 140 | 69   | 18 |
| 37   | 6P   | Std        | V3EG250M6A | 484   | 434.4 | 890.5  | 349 | 406 | 250 | 544   | 24   | 168 | 65 | 140 | 69   | 18 |
| 75   | 2P   | Std        | V3EG280S2A | 550   | 545   | 970    | 368 | 457 | 280 | 630   | 24   | 190 | 65 | 140 | 69   | 18 |
| 75   | 4P   | Std        | V3EG280S4A | 550   | 545   | 970    | 368 | 457 | 280 | 630   | 24   | 190 | 75 | 140 | 79.5 | 20 |
| 45   | 6P   | Std        | V3EG280S6A | 550   | 545   | 970    | 368 | 457 | 280 | 630   | 24   | 190 | 75 | 140 | 79.5 | 20 |
| 55   | 6P   | Std        | V3EG280M6A | 550   | 545   | 970    | 368 | 457 | 280 | 630   | 24   | 190 | 75 | 140 | 79.5 | 20 |
| 110  | 2P   | Std        | V3EG315S2A | 620   | 615   | 1120.5 | 406 | 508 | 315 | 817   | 28   | 216 | 65 | 140 | 69   | 18 |
| 132  | 2P   | Std        | V3EG315M2A | 620   | 615   | 1120.5 | 406 | 508 | 315 | 817   | 28   | 216 | 65 | 140 | 69   | 18 |
| 160  | 2P   | Std        | V3EG315M2B | 620   | 615   | 1120.5 | 457 | 508 | 315 | 817   | 28   | 216 | 65 | 140 | 69   | 18 |
| 185  | 2P   | Std        | V3EG315L2A | 620   | 615   | 1190.5 | 508 | 508 | 315 | 817   | 28   | 216 | 65 | 140 | 69   | 18 |
| 200  | 2P   | Std        | V3EG315L2B | 620   | 615   | 1190.5 | 508 | 508 | 315 | 817   | 28   | 216 | 65 | 140 | 69   | 18 |
| 110  | 4P   | Std        | V3EG315S4A | 620   | 615   | 1190.5 | 508 | 508 | 315 | 817   | 28   | 216 | 65 | 140 | 69   | 18 |
| 132  | 4P   | Std        | V3EG315M4A | 620   | 615   | 1150   | 457 | 508 | 315 | 817   | 28   | 216 | 80 | 170 | 85   | 22 |
| 160  | 4P   | Std        | V3EG315M4B | 620   | 615   | 1150   | 457 | 508 | 315 | 817   | 28   | 216 | 80 | 170 | 85   | 22 |
| 185  | 4P   | Std        | V3EG315L4A | 620   | 615   | 1220   | 508 | 508 | 315 | 817   | 28   | 216 | 80 | 170 | 85   | 22 |
| 200  | 4P   | Std        | V3EG315L4B | 620   | 615   | 1220   | 508 | 508 | 315 | 817   | 28   | 216 | 80 | 170 | 85   | 22 |
| 75   | 6P   | Std        | V3EG315S6A | 620   | 615   | 1150   | 457 | 508 | 315 | 817   | 28   | 216 | 80 | 170 | 85   | 22 |
| 90   | 6P   | Std        | V3EG315M6A | 620   | 615   | 1150   | 457 | 508 | 315 | 817   | 28   | 216 | 80 | 170 | 85   | 22 |
| 110  | 6P   | Std        | V3EG315M6B | 620   | 615   | 1150   | 406 | 508 | 315 | 817   | 28   | 216 | 80 | 170 | 85   | 22 |
| 132  | 6P   | Std        | V3EG315L6A | 620   | 615   | 1220   | 508 | 508 | 315 | 817   | 28   | 216 | 80 | 170 | 85   | 22 |



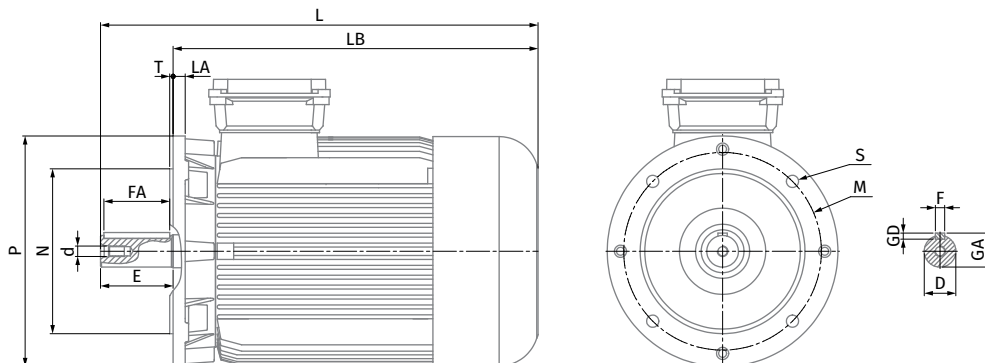


# CAST IRON B5

# MECHANICAL DIMENSIONS

## Cast iron IE3 B5 motor mechanical dimensions [mm]

| kW   | Pole | Frame size | Motor type | AC    | D  | d   | E   | F  | GD | GA   | L      | LA   | LB     | M   | N   | P   | S    | T | H   |
|------|------|------------|------------|-------|----|-----|-----|----|----|------|--------|------|--------|-----|-----|-----|------|---|-----|
| 5.5  | 2P   | Std        | V3EG132S2A | 258.5 | 38 | M12 | 80  | 10 | 8  | 41   | 481    | 17.5 | 401    | 265 | 230 | 300 | 14.5 | 4 | 132 |
| 7.5  | 2P   | Std        | V3EG132S2B | 258.5 | 38 | M12 | 80  | 10 | 8  | 41   | 481    | 17.5 | 401    | 265 | 230 | 300 | 14.5 | 4 | 132 |
| 5.5  | 4P   | Std        | V3EG132S4A | 258.5 | 38 | M12 | 80  | 10 | 8  | 41   | 481    | 17.5 | 401    | 265 | 230 | 300 | 14.5 | 4 | 132 |
| 7.5  | 4P   | Std        | V3EG132M4A | 258.5 | 38 | M12 | 80  | 10 | 8  | 41   | 520    | 17.5 | 440    | 265 | 230 | 300 | 14.5 | 4 | 132 |
| 3    | 6P   | Std        | V3EG132S6A | 258.5 | 38 | M12 | 80  | 10 | 8  | 41   | 481    | 17.5 | 401    | 265 | 230 | 300 | 14.5 | 4 | 132 |
| 4    | 6P   | Std        | V3EG132M6A | 258.5 | 38 | M12 | 80  | 10 | 8  | 41   | 520    | 17.5 | 440    | 265 | 230 | 300 | 14.5 | 4 | 132 |
| 5.5  | 6P   | Std        | V3EG132M6B | 258.5 | 38 | M12 | 80  | 10 | 8  | 41   | 520    | 17.5 | 440    | 265 | 230 | 300 | 14.5 | 4 | 132 |
| 11   | 2P   | Std        | V3EG160M2A | 308   | 42 | M16 | 110 | 12 | 8  | 45   | 607.2  | 18   | 497.2  | 300 | 250 | 350 | 18.5 | 5 | 160 |
| 15   | 2P   | Std        | V3EG160M2B | 308   | 42 | M16 | 110 | 12 | 8  | 45   | 637.2  | 18   | 527.2  | 300 | 250 | 350 | 18.5 | 5 | 160 |
| 18   | 2P   | Std        | V3EG160L2A | 308   | 42 | M16 | 110 | 12 | 8  | 45   | 681.2  | 18   | 571.2  | 300 | 250 | 350 | 18.5 | 5 | 160 |
| 11   | 4P   | Std        | V3EG160M4A | 308   | 42 | M16 | 110 | 12 | 8  | 45   | 637.2  | 18   | 527.2  | 300 | 250 | 350 | 18.5 | 5 | 160 |
| 15   | 4P   | Std        | V3EG160L4A | 308   | 42 | M16 | 110 | 12 | 8  | 45   | 681.2  | 18   | 571.2  | 300 | 250 | 350 | 18.5 | 5 | 160 |
| 7.5  | 6P   | Std        | V3EG160M6A | 308   | 42 | M16 | 110 | 12 | 8  | 45   | 637.2  | 18   | 527.2  | 300 | 250 | 350 | 18.5 | 5 | 160 |
| 11   | 6P   | Std        | V3EG160L6A | 308   | 42 | M16 | 110 | 12 | 8  | 45   | 707.5  | 18   | 597.5  | 300 | 250 | 350 | 18.5 | 5 | 160 |
| 22   | 2P   | Std        | V3EG180M2A | 347.4 | 48 | M16 | 110 | 14 | 9  | 51.5 | 717    | 18.5 | 607    | 300 | 250 | 350 | 18.5 | 5 | 180 |
| 18.5 | 4P   | Std        | V3EG180M4A | 347.4 | 48 | M16 | 110 | 14 | 9  | 51.5 | 717    | 18.5 | 607    | 300 | 250 | 350 | 18.5 | 5 | 180 |
| 22   | 4P   | Std        | V3EG180L4A | 347.4 | 48 | M16 | 110 | 14 | 9  | 51.5 | 717    | 18.5 | 607    | 300 | 250 | 350 | 18.5 | 5 | 180 |
| 15   | 6P   | Std        | V3EG180L6A | 347.4 | 48 | M16 | 110 | 14 | 9  | 51.5 | 717    | 18.5 | 607    | 300 | 250 | 350 | 18.5 | 5 | 180 |
| 30   | 2P   | Std        | V3EG200L2A | 390.4 | 55 | M20 | 110 | 16 | 10 | 59   | 769.2  | 22.5 | 659.2  | 350 | 300 | 400 | 18.5 | 5 | 200 |
| 37   | 2P   | Std        | V3EG200L2B | 390.4 | 55 | M20 | 110 | 16 | 10 | 59   | 769.2  | 22.5 | 659.2  | 350 | 300 | 400 | 18.5 | 5 | 200 |
| 30   | 4P   | Std        | V3EG200L4A | 390.4 | 55 | M20 | 110 | 16 | 10 | 59   | 769.2  | 22.5 | 659.2  | 350 | 300 | 400 | 18.5 | 5 | 200 |
| 18.5 | 6P   | Std        | V3EG200L6A | 390.4 | 55 | M20 | 110 | 16 | 10 | 59   | 769.2  | 22.5 | 659.2  | 350 | 300 | 400 | 18.5 | 5 | 200 |
| 22   | 6P   | Std        | V3EG200L6B | 390.4 | 55 | M20 | 110 | 16 | 10 | 59   | 769.2  | 22.5 | 659.2  | 350 | 300 | 400 | 18.5 | 5 | 200 |
| 45   | 2P   | Std        | V3EG225M2A | 434.4 | 55 | M20 | 110 | 16 | 10 | 59   | 831    | 24.5 | 721    | 400 | 350 | 450 | 18.5 | 5 | 225 |
| 37   | 4P   | Std        | V3EG225S4A | 434.4 | 60 | M20 | 140 | 18 | 11 | 64   | 861    | 24.5 | 721    | 400 | 350 | 450 | 18.5 | 5 | 225 |
| 45   | 4P   | Std        | V3EG225M4A | 434.4 | 60 | M20 | 140 | 18 | 11 | 64   | 861    | 24.5 | 721    | 400 | 350 | 450 | 18.5 | 5 | 225 |
| 30   | 6P   | Std        | V3EG225M6A | 434.4 | 60 | M20 | 140 | 18 | 11 | 64   | 861    | 24.5 | 721    | 400 | 350 | 450 | 18.5 | 5 | 225 |
| 55   | 2P   | Std        | V3EG250M2A | 434.4 | 60 | M20 | 140 | 18 | 11 | 64   | 920.5  | 19   | 780.5  | 500 | 450 | 550 | 18.5 | 5 | 250 |
| 55   | 4P   | Std        | V3EG250M4A | 434.4 | 65 | M20 | 140 | 18 | 11 | 69   | 890.5  | 19   | 750.5  | 500 | 450 | 550 | 18.5 | 5 | 250 |
| 37   | 6P   | Std        | V3EG250M6A | 434.4 | 65 | M20 | 140 | 18 | 11 | 69   | 890.5  | 19   | 750.5  | 500 | 450 | 550 | 18.5 | 5 | 250 |
| 75   | 2P   | Std        | V3EG280S2A | 545   | 65 | M20 | 140 | 18 | 11 | 69   | 970    | 21.5 | 830    | 500 | 450 | 550 | 18.5 | 5 | 280 |
| 75   | 4P   | Std        | V3EG280S4A | 545   | 75 | M20 | 140 | 20 | 12 | 79.5 | 970    | 21.5 | 830    | 500 | 450 | 550 | 18.5 | 5 | 280 |
| 45   | 6P   | Std        | V3EG280S6A | 545   | 75 | M20 | 140 | 20 | 12 | 79.5 | 970    | 21.5 | 830    | 500 | 450 | 550 | 18.5 | 5 | 280 |
| 55   | 6P   | Std        | V3EG280M6A | 545   | 75 | M20 | 140 | 20 | 12 | 79.5 | 970    | 21.5 | 830    | 500 | 450 | 550 | 18.5 | 5 | 280 |
| 110  | 2P   | Std        | V3EG315S2A | 615   | 65 | M20 | 140 | 18 | 11 | 69   | 1120.5 | 24.5 | 980.5  | 600 | 550 | 660 | 24   | 6 | 315 |
| 132  | 2P   | Std        | V3EG315M2A | 615   | 65 | M20 | 140 | 18 | 11 | 69   | 1120.5 | 24.5 | 980.5  | 600 | 550 | 660 | 24   | 6 | 315 |
| 160  | 2P   | Std        | V3EG315M2B | 615   | 65 | M20 | 140 | 18 | 11 | 69   | 1120.5 | 24.5 | 980.5  | 600 | 550 | 660 | 24   | 6 | 315 |
| 185  | 2P   | Std        | V3EG315L2A | 615   | 65 | M20 | 140 | 18 | 11 | 69   | 1190.5 | 24.5 | 1050.5 | 600 | 550 | 660 | 24   | 6 | 315 |
| 200  | 2P   | Std        | V3EG315L2B | 615   | 65 | M20 | 140 | 18 | 11 | 69   | 1190.5 | 24.5 | 1050.5 | 600 | 550 | 660 | 24   | 6 | 315 |
| 110  | 4P   | Std        | V3EG315S4A | 615   | 65 | M20 | 140 | 18 | 11 | 69   | 1190.5 | 24.5 | 1050.5 | 600 | 550 | 660 | 24   | 6 | 315 |
| 132  | 4P   | Std        | V3EG315M4A | 615   | 80 | M20 | 170 | 22 | 14 | 85   | 1150   | 24.5 | 980    | 600 | 550 | 660 | 24   | 6 | 315 |
| 160  | 4P   | Std        | V3EG315M4B | 615   | 80 | M20 | 170 | 22 | 14 | 85   | 1150   | 24.5 | 980    | 600 | 550 | 660 | 24   | 6 | 315 |
| 185  | 4P   | Std        | V3EG315L4A | 615   | 80 | M20 | 170 | 22 | 14 | 85   | 1220   | 24.5 | 1050   | 600 | 550 | 660 | 24   | 6 | 315 |
| 200  | 4P   | Std        | V3EG315L4B | 615   | 80 | M20 | 170 | 22 | 14 | 85   | 1220   | 24.5 | 1050   | 600 | 550 | 660 | 24   | 6 | 315 |
| 75   | 6P   | Std        | V3EG315S6A | 615   | 80 | M20 | 170 | 22 | 14 | 85   | 1150   | 24.5 | 980    | 600 | 550 | 660 | 24   | 6 | 315 |
| 90   | 6P   | Std        | V3EG315M6A | 615   | 80 | M20 | 170 | 22 | 14 | 85   | 1150   | 24.5 | 980    | 600 | 550 | 660 | 24   | 6 | 315 |
| 110  | 6P   | Std        | V3EG315M6B | 615   | 80 | M20 | 170 | 22 | 14 | 85   | 1150   | 24.5 | 980    | 600 | 550 | 660 | 24   | 6 | 315 |
| 132  | 6P   | Std        | V3EG315L6A | 615   | 80 | M20 | 170 | 22 | 14 | 85   | 1220   | 24.5 | 1050   | 600 | 550 | 660 | 24   | 6 | 315 |



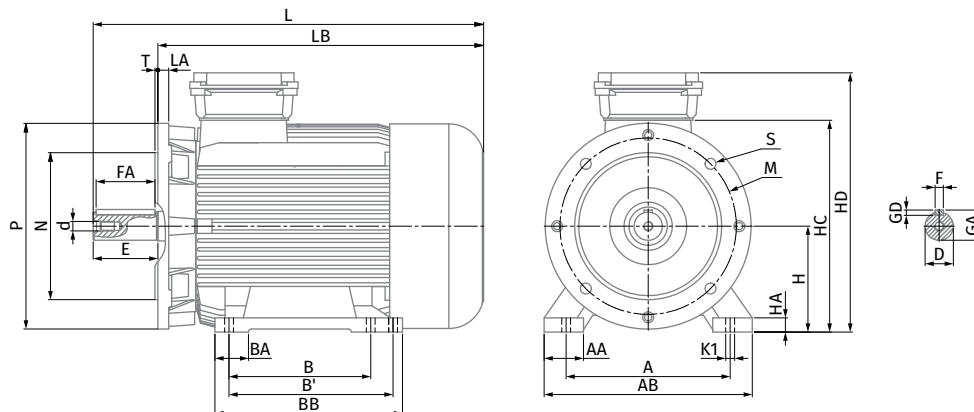
**CAST IRON B35**

**MECHANICAL DIMENSIONS**

**Cast iron IE3 B35 motor mechanical dimensions [mm]**

| kW   | Pole | Frame size | Motor type | A   | AB    | B   | BB    | BA   | C   | E   | H   | HA   | HC  | HD    | K    | K1   | L      | M   | N   | P   | S    | T |
|------|------|------------|------------|-----|-------|-----|-------|------|-----|-----|-----|------|-----|-------|------|------|--------|-----|-----|-----|------|---|
| 5.5  | 2P   | Std        | V3EG132S2A | 216 | 260   | 140 | 180   | 37   | 89  | 80  | 132 | 17.5 | 263 | 323.6 | 12   | 12   | 481    | 265 | 230 | 300 | 14.5 | 4 |
| 7.5  | 2P   | Std        | V3EG132S2B | 216 | 260   | 140 | 180   | 37   | 89  | 80  | 132 | 17.5 | 263 | 323.6 | 12   | 12   | 481    | 265 | 230 | 300 | 14.5 | 4 |
| 5.5  | 4P   | Std        | V3EG132S4A | 216 | 260   | 140 | 180   | 37   | 89  | 80  | 132 | 17.5 | 263 | 323.6 | 12   | 12   | 481    | 265 | 230 | 300 | 14.5 | 4 |
| 7.5  | 4P   | Std        | V3EG132M4A | 216 | 260   | 178 | 218   | 37   | 89  | 80  | 132 | 17.5 | 263 | 316.5 | 12   | 12   | 520    | 265 | 230 | 300 | 14.5 | 4 |
| 3    | 6P   | Std        | V3EG132S6A | 216 | 260   | 140 | 180   | 37   | 89  | 80  | 132 | 17.5 | 263 | 323.6 | 12   | 12   | 481    | 265 | 230 | 300 | 14.5 | 4 |
| 4    | 6P   | Std        | V3EG132M6A | 216 | 260   | 178 | 218   | 37   | 89  | 80  | 132 | 17.5 | 263 | 316.5 | 12   | 12   | 520    | 265 | 230 | 300 | 14.5 | 4 |
| 5.5  | 6P   | Std        | V3EG132M6B | 216 | 260   | 178 | 218   | 37   | 89  | 80  | 132 | 17.5 | 263 | 316.5 | 12   | 12   | 520    | 265 | 230 | 300 | 14.5 | 4 |
| 11   | 2P   | Std        | V3EG160M2A | 254 | 316   | 210 | 264   | 52   | 108 | 110 | 160 | 23   | 319 | 401.8 | 15   | 15   | 607.2  | 300 | 250 | 350 | 18.5 | 5 |
| 15   | 2P   | Std        | V3EG160M2B | 254 | 316   | 210 | 264   | 52   | 108 | 110 | 160 | 23   | 319 | 401.8 | 15   | 15   | 637.2  | 300 | 250 | 350 | 18.5 | 5 |
| 18.5 | 2P   | Std        | V3EG160L2A | 254 | 316   | 254 | 309   | 52   | 108 | 110 | 160 | 23   | 319 | 401.8 | 15   | 15   | 681.2  | 300 | 250 | 350 | 18.5 | 5 |
| 11   | 4P   | Std        | V3EG160M4A | 254 | 316   | 210 | 264   | 52   | 108 | 110 | 160 | 23   | 319 | 401.8 | 15   | 15   | 637.2  | 300 | 250 | 350 | 18.5 | 5 |
| 15   | 4P   | Std        | V3EG160L4A | 254 | 316   | 254 | 309   | 52   | 108 | 110 | 160 | 23   | 319 | 401.8 | 15   | 15   | 681.2  | 300 | 250 | 350 | 18.5 | 5 |
| 7.5  | 6P   | Std        | V3EG160M6A | 254 | 316   | 210 | 264   | 52   | 108 | 110 | 160 | 23   | 319 | 401.8 | 15   | 15   | 637.2  | 300 | 250 | 350 | 18.5 | 5 |
| 11   | 6P   | Std        | V3EG160L6A | 254 | 316   | 254 | 309   | 52   | 108 | 110 | 160 | 23   | 319 | 401.8 | 15   | 15   | 707.5  | 300 | 250 | 350 | 18.5 | 5 |
| 22   | 2P   | Std        | V3EG180M2A | 265 | 344.8 | 241 | 328.8 | 72   | 121 | 110 | 180 | 25   | 359 | 441.8 | 14.5 | 14.5 | 717    | 300 | 250 | 350 | 18.5 | 5 |
| 18.5 | 4P   | Std        | V3EG180M4A | 279 | 344.8 | 241 | 328.8 | 67.4 | 121 | 110 | 180 | 25   | 359 | 441.8 | 14.5 | 14.5 | 717    | 300 | 250 | 350 | 18.5 | 5 |
| 22   | 4P   | Std        | V3EG180L4A | 279 | 344.8 | 279 | 328.8 | 67.4 | 121 | 110 | 180 | 25   | 359 | 441.8 | 14.5 | 14.5 | 717    | 300 | 250 | 350 | 18.5 | 5 |
| 15   | 6P   | Std        | V3EG180L6A | 279 | 344.8 | 279 | 328.8 | 67.4 | 121 | 110 | 180 | 25   | 359 | 441.8 | 14.5 | 14.5 | 717    | 300 | 250 | 350 | 18.5 | 5 |
| 30   | 2P   | Std        | V3EG200L2A | 318 | 401   | 305 | 357   | 72   | 133 | 110 | 200 | 26   | 403 | 492.5 | 24   | 24   | 769.2  | 350 | 300 | 400 | 18.5 | 5 |
| 37   | 2P   | Std        | V3EG200L2B | 318 | 401   | 305 | 357   | 72   | 133 | 110 | 200 | 26   | 403 | 492.5 | 24   | 24   | 769.2  | 350 | 300 | 400 | 18.5 | 5 |
| 30   | 4P   | Std        | V3EG200L4A | 318 | 401   | 305 | 357   | 72   | 133 | 110 | 200 | 26   | 403 | 492.5 | 24   | 24   | 769.2  | 350 | 300 | 400 | 18.5 | 5 |
| 18.5 | 6P   | Std        | V3EG200L6A | 318 | 401   | 305 | 357   | 72   | 133 | 110 | 200 | 26   | 403 | 492.5 | 24   | 24   | 769.2  | 350 | 300 | 400 | 18.5 | 5 |
| 22   | 6P   | Std        | V3EG200L6B | 318 | 401   | 305 | 357   | 72   | 133 | 110 | 200 | 26   | 403 | 492.5 | 24   | 24   | 769.2  | 350 | 300 | 400 | 18.5 | 5 |
| 45   | 2P   | Std        | V3EG225M2A | 356 | 441   | 311 | 365   | 76   | 149 | 110 | 225 | 35   | 439 | 523   | 18.5 | 18.5 | 831    | 400 | 350 | 450 | 18.5 | 5 |
| 37   | 4P   | Std        | V3EG225S4A | 356 | 441   | 286 | 365   | 76   | 149 | 140 | 225 | 35   | 439 | 523   | 18.5 | 18.5 | 861    | 400 | 350 | 450 | 18.5 | 5 |
| 45   | 4P   | Std        | V3EG225M4A | 356 | 441   | 311 | 365   | 76   | 149 | 140 | 225 | 35   | 439 | 523   | 18.5 | 18.5 | 861    | 400 | 350 | 450 | 18.5 | 5 |
| 30   | 6P   | Std        | V3EG225M6A | 356 | 441   | 311 | 365   | 76   | 149 | 140 | 225 | 35   | 439 | 523   | 18.5 | 18.5 | 861    | 400 | 350 | 450 | 18.5 | 5 |
| 55   | 2P   | Std        | V3EG250M2A | 406 | 484   | 349 | 410   | 75   | 168 | 140 | 250 | 30   | 458 | 544   | 24   | 24   | 920.5  | 500 | 450 | 550 | 18.5 | 5 |
| 55   | 4P   | Std        | V3EG250M4A | 406 | 484   | 349 | 410   | 75   | 168 | 140 | 250 | 30   | 458 | 544   | 24   | 24   | 890.5  | 500 | 450 | 550 | 18.5 | 5 |
| 37   | 6P   | Std        | V3EG250M6A | 406 | 484   | 349 | 410   | 75   | 168 | 140 | 250 | 30   | 458 | 544   | 24   | 24   | 890.5  | 500 | 450 | 550 | 18.5 | 5 |
| 75   | 2P   | Std        | V3EG280S2A | 457 | 550   | 368 | 474   | 76   | 190 | 140 | 280 | 40   | 530 | 630   | 24   | 24   | 970    | 500 | 450 | 550 | 18.5 | 5 |
| 75   | 4P   | Std        | V3EG280S4A | 457 | 550   | 368 | 474   | 76   | 190 | 140 | 280 | 40   | 530 | 630   | 24   | 24   | 970    | 500 | 450 | 550 | 18.5 | 5 |
| 45   | 6P   | Std        | V3EG280S6A | 457 | 550   | 368 | 474   | 76   | 190 | 140 | 280 | 40   | 530 | 630   | 24   | 24   | 970    | 500 | 450 | 550 | 18.5 | 5 |
| 55   | 6P   | Std        | V3EG280M6A | 457 | 550   | 368 | 474   | 76   | 190 | 140 | 280 | 40   | 530 | 630   | 24   | 24   | 970    | 500 | 450 | 550 | 18.5 | 5 |
| 110  | 2P   | Std        | V3EG315S2A | 508 | 620   | 406 | 550   | 125  | 216 | 140 | 315 | 50   | 615 | 817   | 28   | 28   | 1120.5 | 600 | 550 | 660 | 24   | 6 |
| 132  | 2P   | Std        | V3EG315M2A | 508 | 620   | 406 | 550   | 125  | 216 | 140 | 315 | 50   | 615 | 817   | 28   | 28   | 1120.5 | 600 | 550 | 660 | 24   | 6 |
| 160  | 2P   | Std        | V3EG315M2B | 508 | 620   | 457 | 550   | 125  | 216 | 140 | 315 | 50   | 615 | 817   | 28   | 28   | 1120.5 | 600 | 550 | 660 | 24   | 6 |
| 185  | 2P   | Std        | V3EG315L2A | 508 | 620   | 508 | 600   | 125  | 216 | 140 | 315 | 50   | 615 | 817   | 28   | 28   | 1190.5 | 600 | 550 | 660 | 24   | 6 |
| 200  | 2P   | Std        | V3EG315L2B | 508 | 620   | 508 | 600   | 125  | 216 | 140 | 315 | 50   | 615 | 817   | 28   | 28   | 1190.5 | 600 | 550 | 660 | 24   | 6 |
| 110  | 4P   | Std        | V3EG315S4A | 508 | 620   | 508 | 600   | 125  | 216 | 140 | 315 | 50   | 615 | 817   | 28   | 28   | 1190.5 | 600 | 550 | 660 | 24   | 6 |
| 132  | 4P   | Std        | V3EG315M4A | 508 | 620   | 457 | 550   | 125  | 216 | 170 | 315 | 50   | 615 | 817   | 28   | 28   | 1150   | 600 | 550 | 660 | 24   | 6 |
| 160  | 4P   | Std        | V3EG315M4B | 508 | 620   | 457 | 550   | 125  | 216 | 170 | 315 | 50   | 615 | 817   | 28   | 28   | 1150   | 600 | 550 | 660 | 24   | 6 |
| 185  | 4P   | Std        | V3EG315L4A | 508 | 620   | 508 | 600   | 125  | 216 | 170 | 315 | 50   | 615 | 817   | 28   | 28   | 1220   | 600 | 550 | 660 | 24   | 6 |
| 200  | 4P   | Std        | V3EG315L4B | 508 | 620   | 508 | 600   | 125  | 216 | 170 | 315 | 50   | 615 | 817   | 28   | 28   | 1220   | 600 | 550 | 660 | 24   | 6 |
| 75   | 6P   | Std        | V3EG315S6A | 508 | 620   | 457 | 550   | 125  | 216 | 170 | 315 | 50   | 615 | 817   | 28   | 28   | 1150   | 600 | 550 | 660 | 24   | 6 |
| 90   | 6P   | Std        | V3EG315M6A | 508 | 620   | 457 | 550   | 125  | 216 | 170 | 315 | 50   | 615 | 817   | 28   | 28   | 1150   | 600 | 550 | 660 | 24   | 6 |
| 110  | 6P   | Std        | V3EG315M6B | 508 | 620   | 406 | 550   | 125  | 216 | 170 | 315 | 50   | 615 | 817   | 28   | 28   | 1150   | 600 | 550 | 660 | 24   | 6 |
| 132  | 6P   | Std        | V3EG315L6A | 508 | 620   | 508 | 600   | 125  | 216 | 170 | 315 | 50   | 615 | 817   | 28   | 28   | 1220   | 600 | 550 | 660 | 24   | 6 |

\*Please look at the table B5 for the dimensions D, d, F, GD, GA, AC and LB.

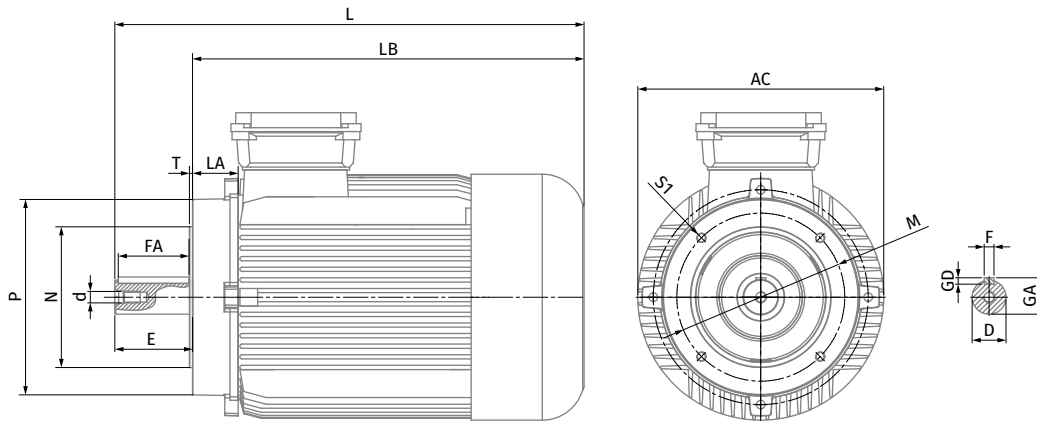


# CAST IRON B14

# MECHANICAL DIMENSIONS

## Cast iron IE3 B14 motor mechanical dimensions [mm]

| kW  | Pole | Frame size | Motor type | AC    | D  | d   | E   | F  | GD | GA | L     | LA   | LB    | M   | N   | P   | S   | T   |
|-----|------|------------|------------|-------|----|-----|-----|----|----|----|-------|------|-------|-----|-----|-----|-----|-----|
| 5.5 | 2P   | Std        | V3EG132S2A | 258.5 | 38 | M12 | 80  | 10 | 8  | 41 | 481   | 17.5 | 401   | 165 | 130 | 160 | M10 | 3.5 |
| 7.5 | 2P   | Std        | V3EG132S2B | 258.5 | 38 | M12 | 80  | 10 | 8  | 41 | 481   | 17.5 | 401   | 165 | 130 | 160 | M10 | 3.5 |
| 5.5 | 4P   | Std        | V3EG132S4A | 258.5 | 38 | M12 | 80  | 10 | 8  | 41 | 481   | 17.5 | 401   | 165 | 130 | 160 | M10 | 3.5 |
| 7.5 | 4P   | Std        | V3EG132M4A | 258.5 | 38 | M12 | 80  | 10 | 8  | 41 | 520   | 17.5 | 440   | 165 | 130 | 160 | M10 | 3.5 |
| 3   | 6P   | Std        | V3EG132S6A | 258.5 | 38 | M12 | 80  | 10 | 8  | 41 | 481   | 17.5 | 401   | 165 | 130 | 160 | M10 | 3.5 |
| 4   | 6P   | Std        | V3EG132M6A | 258.5 | 38 | M12 | 80  | 10 | 8  | 41 | 520   | 17.5 | 440   | 165 | 130 | 160 | M10 | 3.5 |
| 5.5 | 6P   | Std        | V3EG132M6B | 258.5 | 38 | M12 | 80  | 10 | 8  | 41 | 520   | 17.5 | 440   | 165 | 130 | 160 | M10 | 3.5 |
| 11  | 2P   | Std        | V3EG160M2A | 308   | 42 | M16 | 110 | 12 | 8  | 45 | 607.2 | 18   | 497.2 | 300 | 250 | 350 | M12 | 5   |
| 15  | 2P   | Std        | V3EG160M2B | 308   | 42 | M16 | 110 | 12 | 8  | 45 | 637.2 | 18   | 527.2 | 300 | 250 | 350 | M12 | 5   |
| 18  | 2P   | Std        | V3EG160L2A | 308   | 42 | M16 | 110 | 12 | 8  | 45 | 681.2 | 18   | 571.2 | 300 | 250 | 350 | M12 | 5   |
| 11  | 4P   | Std        | V3EG160M4A | 308   | 42 | M16 | 110 | 12 | 8  | 45 | 637.2 | 18   | 527.2 | 300 | 250 | 350 | M12 | 5   |
| 15  | 4P   | Std        | V3EG160L4A | 308   | 42 | M16 | 110 | 12 | 8  | 45 | 681.2 | 18   | 571.2 | 300 | 250 | 350 | M12 | 5   |
| 7.5 | 6P   | Std        | V3EG160M6A | 308   | 42 | M16 | 110 | 12 | 8  | 45 | 637.2 | 18   | 527.2 | 300 | 250 | 350 | M12 | 5   |
| 11  | 6P   | Std        | V3EG160L6A | 308   | 42 | M16 | 110 | 12 | 8  | 45 | 707.5 | 18   | 597.5 | 300 | 250 | 350 | M12 | 5   |



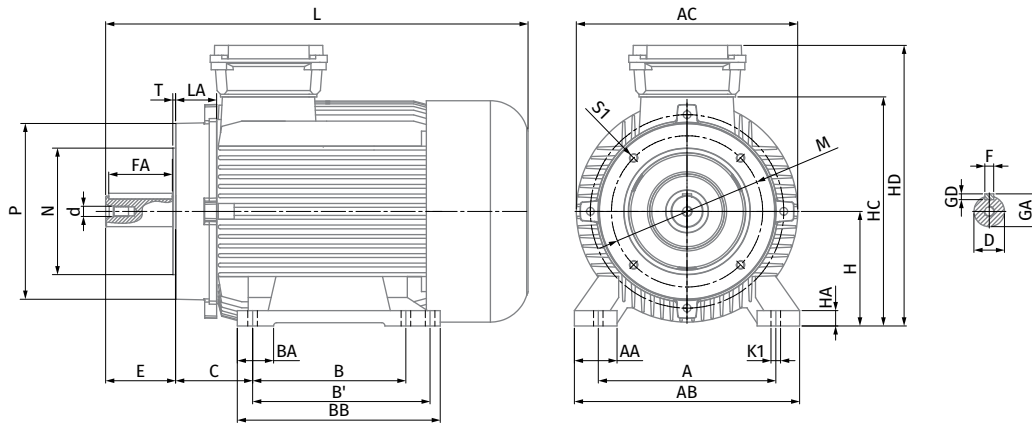
# CAST IRON B34

# MECHANICAL DIMENSIONS

## Cast iron IE3 B34 motor mechanical dimensions [mm]

| kW  | Pole | Frame size | Motor type | A   | AB  | B   | BB  | BA | C   | E   | H   | HA   | HC  | HD    | K  | K1 | L     | M   | N   | P   | S   | T   |
|-----|------|------------|------------|-----|-----|-----|-----|----|-----|-----|-----|------|-----|-------|----|----|-------|-----|-----|-----|-----|-----|
| 5.5 | 2P   | Std        | V3EG132S2A | 216 | 260 | 140 | 180 | 37 | 89  | 80  | 132 | 17.5 | 263 | 323.6 | 12 | 12 | 481   | 165 | 130 | 160 | M10 | 3.5 |
| 7.5 | 2P   | Std        | V3EG132S2B | 216 | 260 | 140 | 180 | 37 | 89  | 80  | 132 | 17.5 | 263 | 323.6 | 12 | 12 | 481   | 165 | 130 | 160 | M10 | 3.5 |
| 5.5 | 4P   | Std        | V3EG132S4A | 216 | 260 | 140 | 180 | 37 | 89  | 80  | 132 | 17.5 | 263 | 316.5 | 12 | 12 | 455.7 | 165 | 130 | 160 | M10 | 3.5 |
| 7.5 | 4P   | Std        | V3EG132M4A | 216 | 260 | 178 | 218 | 37 | 89  | 80  | 132 | 17.5 | 263 | 316.5 | 12 | 12 | 520   | 165 | 130 | 160 | M10 | 3.5 |
| 3   | 6P   | Std        | V3EG132S6A | 216 | 260 | 140 | 180 | 37 | 89  | 80  | 132 | 17.5 | 263 | 316.5 | 12 | 12 | 455.7 | 165 | 130 | 160 | M10 | 3.5 |
| 4   | 6P   | Std        | V3EG132M6A | 216 | 260 | 178 | 218 | 37 | 89  | 80  | 132 | 17.5 | 263 | 316.5 | 12 | 12 | 520   | 165 | 130 | 160 | M10 | 3.5 |
| 5.5 | 6P   | Std        | V3EG132M6B | 216 | 260 | 178 | 218 | 37 | 89  | 80  | 132 | 17.5 | 263 | 316.5 | 12 | 12 | 520   | 165 | 130 | 160 | M10 | 3.5 |
| 11  | 2P   | Std        | V3EG160M2A | 254 | 316 | 210 | 264 | 52 | 108 | 110 | 160 | 23   | 319 | 401.8 | 15 | 15 | 607.2 | 300 | 250 | 350 | M12 | 5   |
| 15  | 2P   | Std        | V3EG160M2B | 254 | 316 | 210 | 264 | 52 | 108 | 110 | 160 | 23   | 319 | 401.8 | 15 | 15 | 637.2 | 300 | 250 | 350 | M12 | 5   |
| 18  | 2P   | Std        | V3EG160L2A | 254 | 316 | 254 | 309 | 52 | 108 | 110 | 160 | 23   | 319 | 401.8 | 15 | 15 | 681.2 | 300 | 250 | 350 | M12 | 5   |
| 11  | 4P   | Std        | V3EG160M4A | 254 | 316 | 210 | 264 | 52 | 108 | 110 | 160 | 23   | 319 | 401.8 | 15 | 15 | 637.2 | 300 | 250 | 350 | M12 | 5   |
| 15  | 4P   | Std        | V3EG160L4A | 254 | 316 | 254 | 309 | 52 | 108 | 110 | 160 | 23   | 319 | 401.8 | 15 | 15 | 681.2 | 300 | 250 | 350 | M12 | 5   |
| 7.5 | 6P   | Std        | V3EG160M6A | 254 | 316 | 210 | 264 | 52 | 108 | 110 | 160 | 23   | 319 | 401.8 | 15 | 15 | 637.2 | 300 | 250 | 350 | M12 | 5   |
| 11  | 6P   | Std        | V3EG160L6A | 254 | 316 | 254 | 309 | 52 | 108 | 110 | 160 | 23   | 319 | 401.8 | 15 | 15 | 707.5 | 300 | 250 | 350 | M12 | 5   |

\*Please look at the table B14 for the dimensions D, d, F, GD, GA, AC and LB.





**Blauberg Group**  
Aidenbachstr. 52  
D-81379 Munich  
Tel.: +49 (0)89 231 66 620  
Fax: +49 (0)89 780 69 521

[sales@blauberg-motoren.com](mailto:sales@blauberg-motoren.com)  
[blauberg-motoren.com](http://blauberg-motoren.com)

Technical changes reserved.  
Illustrations and texts are non-binding.

04/2022