

Ø 220 mm, BACKWARD CURVED

AC CENTRIFUGAL FAN



Features

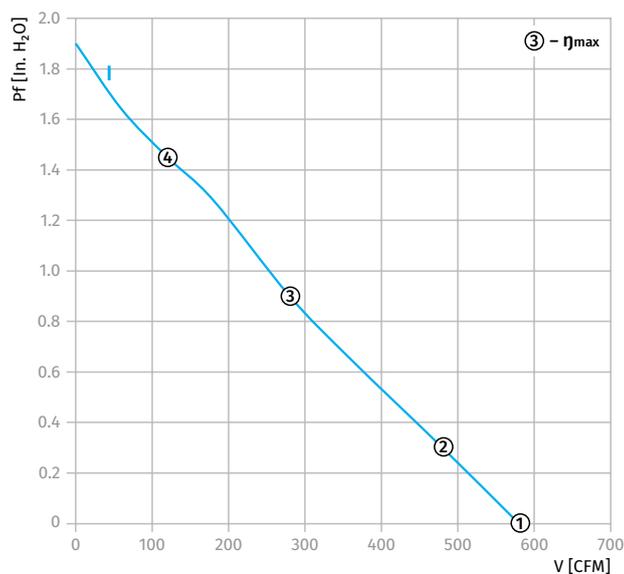
- **Materials:** Impeller – PA6+GF20
Inlet ring – PA6+GF20
Housing – sheet steel, painted grey
- **Direction of rotation:** clockwise, seen on rotor
- **Type of protection:** IP44
- **Insulation class:** B
- **Mode of operation:** continuous operation (S1)
- **Bearing:** ball bearings
- **Motor protection:** self-resetting TOP wired internally



Technical data

Model	Perform. curve	Nominal voltage [VAC]	Frequency [Hz]	Speed [RPM]	Power input max [W]	Current max [A]	Sound pres. level [dB(A)]	Perm. amb. temp. [°C]	Capacitor / Capacitor voltage [µF] / [VDB]	Electrical connection	Inlet ring
*L-B220B-2C-A01-01	I	120	60	2200	115	0.97	69	-25 ... +50	8/250	Type "A"/p. 37	p.36

PERFORMANCE CURVES

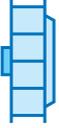


Curve	Point	n [RPM]	Pi [W]	I [A]
I	1	2390	111.61	0.970
	2	2130	115.37	0.979
	3	2200	115.31	0.977
	4	2380	113.06	0.976

Ø 220 MM, BACKWARD CURVED

AC CENTRIFUGAL FAN

Overall Dimensions

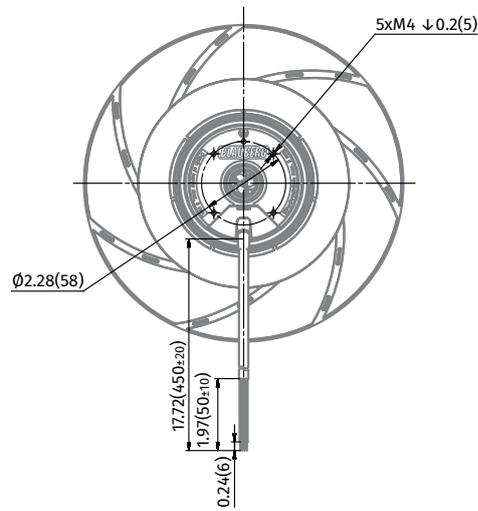
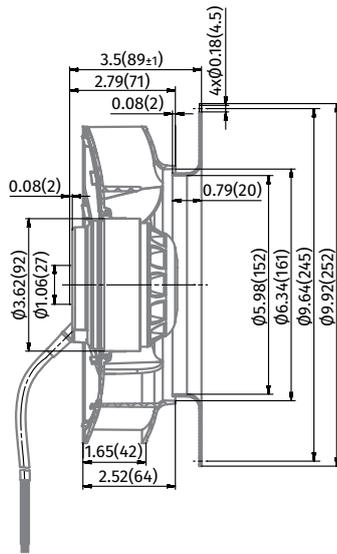


Centrifugal Fan	Weight [kg]
BL-B220B-2C-A01-01	1.38



Centrifugal Fan with Plug Fan	Weight [kg]
GL-B220B-2C-A01-01	2.23

BL-B220B-2C-A01-01



GL-B220B-2C-A01-01

