

Ø 190 MM, BACKWARD CURVED

AC CENTRIFUGAL FAN



Features

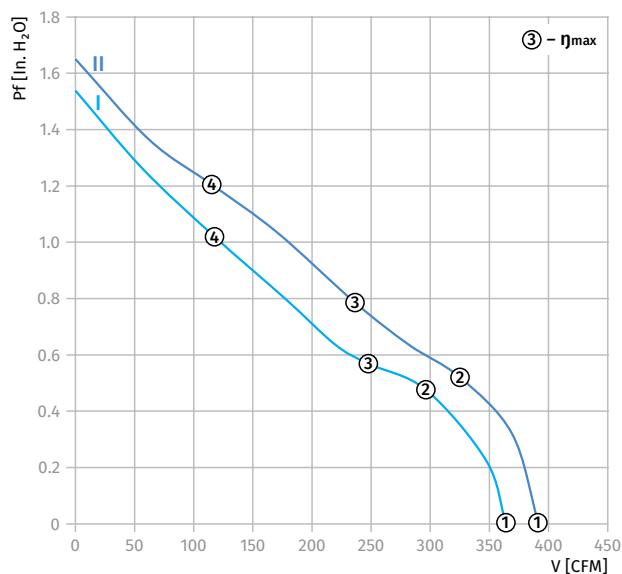
- **Materials:** Impeller – PA6+GF20
Inlet ring – PA6+GF20
Housing – sheet steel, painted grey
- **Direction of rotation:** clockwise, seen on rotor
- **Type of protection:** IP44
- **Insulation class:** B
- **Mode of operation:** continuous operation (S1)
- **Bearing:** ball bearings
- **Motor protection:** self-resetting TOP wired internally



Technical data

Model	Perform. curve	Nominal voltage [VAC]	Frequency [Hz]	Speed [RPM]	Power input max [W]	Current max [A]	Sound pres. level [dB(A)]	Perm. amb. temp. [°C]	Capacitor / Capacitor voltage [µF] / [VDB]	Electrical connection	Inlet ring
*L-B190A-2C-A01-01	I	120	60	2750	70	0.6	62	-25 ... +50	6/250	Type "A"/p. 37	p.36
*L-B190A-2C-A02-01	II	120	60	2870	90	0.75	64	-25 ... +50	8/250	Type "A"/p. 37	p.36

PERFORMANCE CURVES

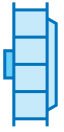


Curve	Point	n [RPM]	Pi [W]	I [A]
I	1	2760	71.6	0.597
	2	2676	74.1	0.618
	3	2628	75.3	0.628
	4	2724	72.6	0.606
II	1	2976	86.6	0.728
	2	2892	87.9	0.739
	3	2832	91.3	0.765
	4	2940	85.6	0.720

Ø 190 MM, BACKWARD CURVED

AC CENTRIFUGAL FAN

Overall Dimmensions

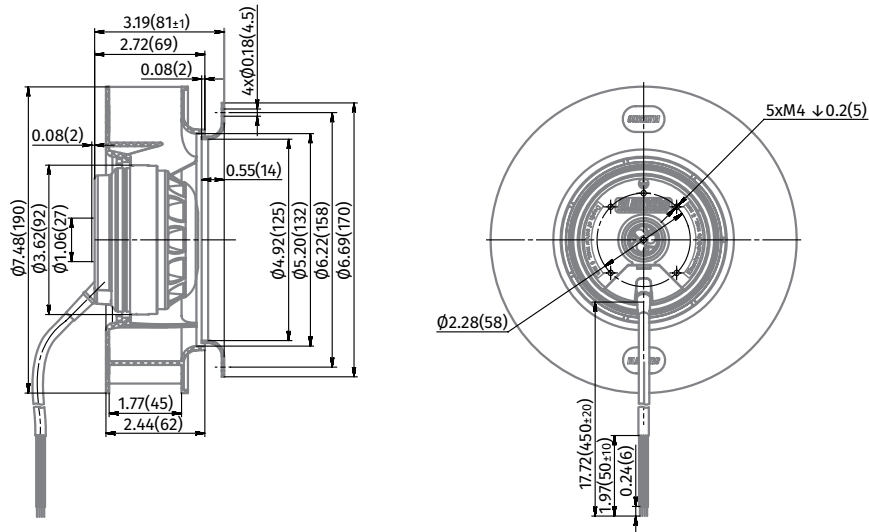


Centrifugal Fan	Weight [kg]
BL-B190A-2C-A01-01	1.31
BL-B190A-2C-A02-01	1.34

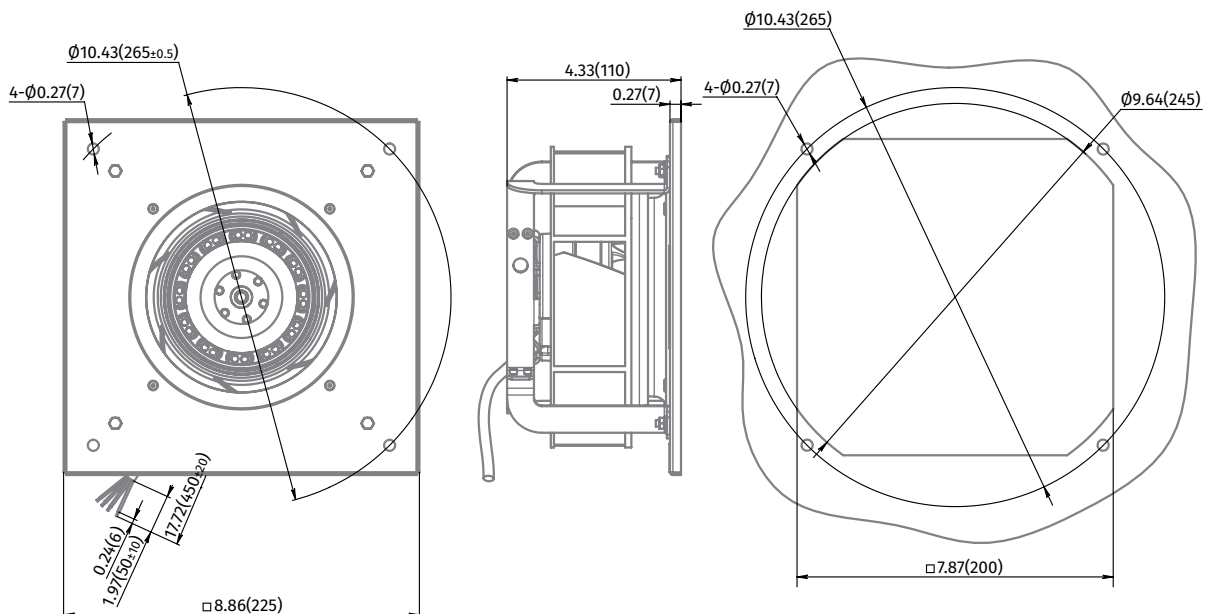


Centrifugal Fan with Plug Fan	Weight [kg]
GL-B190A-2C-A01-01	2.16
GL-B190A-2C-A02-01	2.19

BL-B190A-2C-A01-01, BL-B190A-2C-A02-01



GL-B190A-2C-A01-01, GL-B190A-2C-A02-01



Ø 133

Ø 175

Ø 190

Ø 220

Ø 225

Ø 250

Ø 190

Ø 220

Ø 250