

AC centrifugal fan (forward curved \varnothing 200 mm)



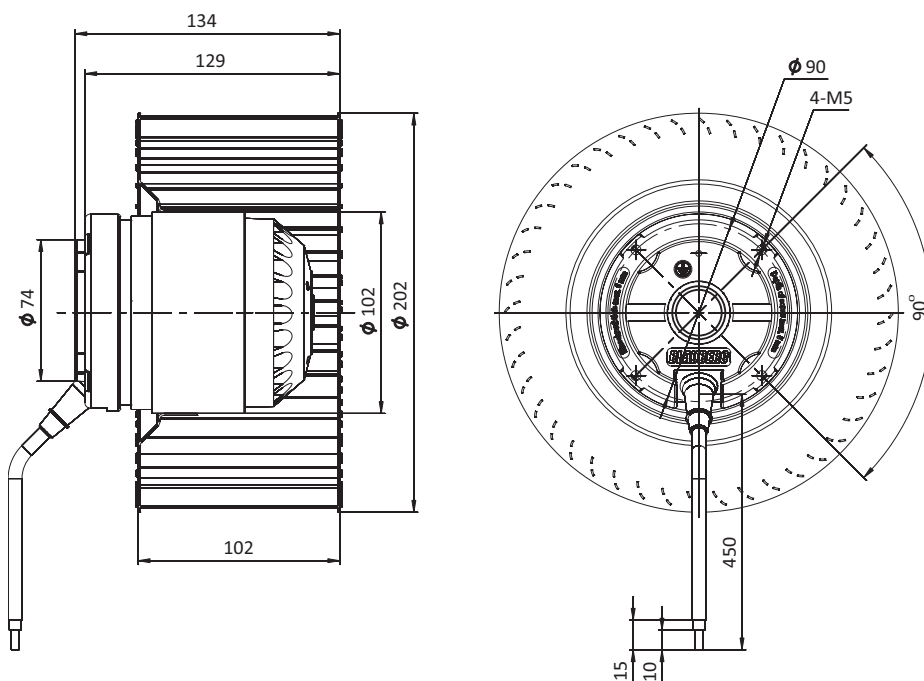
- Impeller material: galvanized steel
- Direction of rotation: clockwise, seen on rotor
- Type of protection: IP44
- Insulation class: F
- Mode of operation: continuous operation (S1)
- Bearing: ball bearings
- Motor protection: self-resetting TOP wired internally



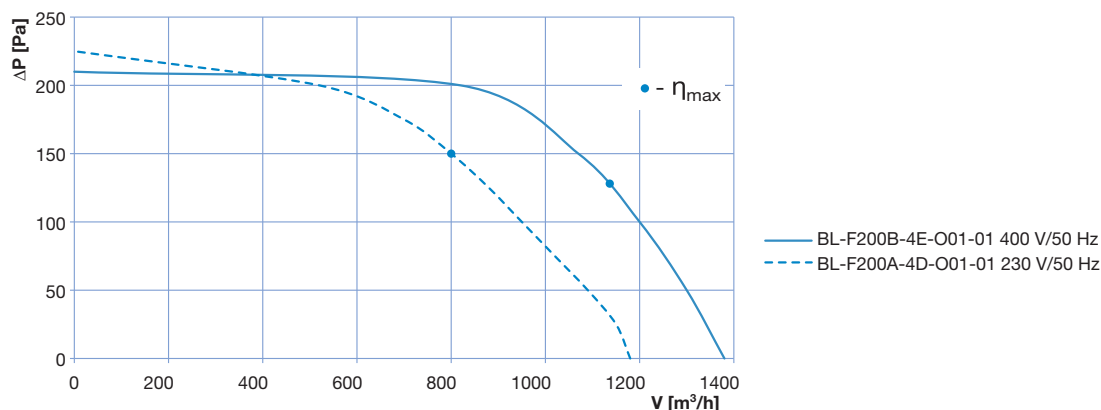
Technical data

Type	Nominal voltage [VAC]	Frequency [Hz]	Speed [RPM]	Power input [W]	Current [A]	Sound pressure level [dB(A)]	Perm. amb. temperature [°C]	Capacitor [μ F/VDB]	Electrical connection
BL-F200C-4D-M01-01	400	50	1270	330	0.63	69	-25...+40	-	B
BL-F200C-4E-M01-01	230	50	1270	310	1.4	69	-25...+40	4.0/450	A

Overall dimensions



Performance curves



AC
 Centrifugal fans
 (forward curved)