

AC centrifugal fan (forward curved $\varnothing 160$ mm)



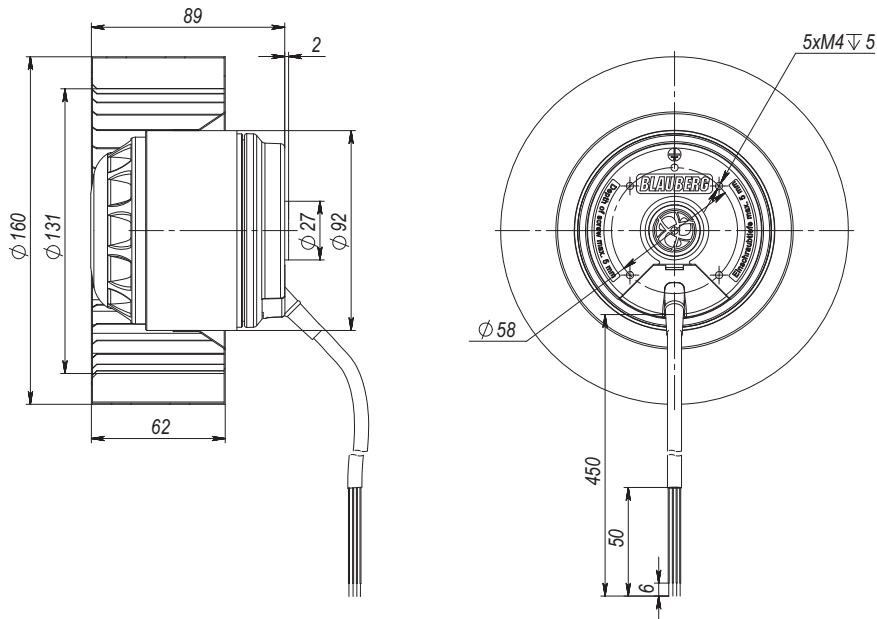
- Impeller material: galvanized steel
- Direction of rotation: clockwise, seen on rotor
- Type of protection: IP44
- Insulation class: F
- Mode of operation: continuous operation (S1)
- Bearing: ball bearings
- Motor protection: self-resetting TOP wired internally



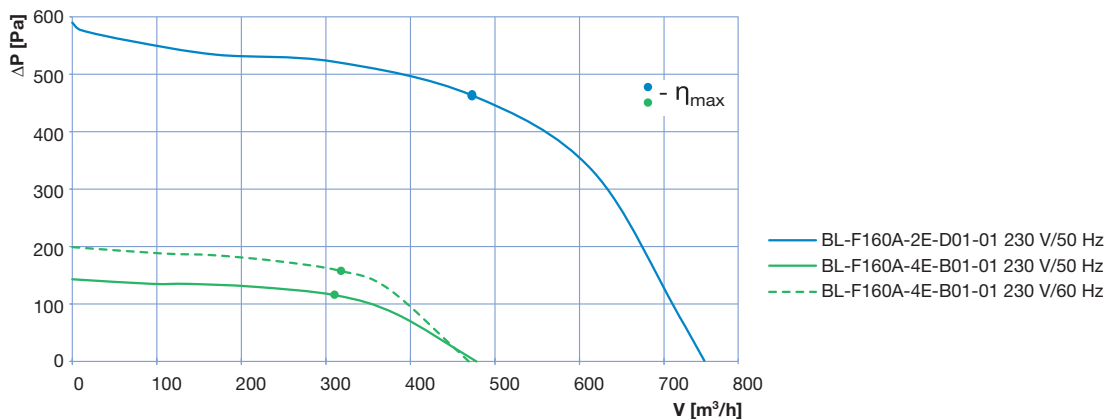
Technical data

Type	Nominal voltage [VAC]	Frequency [Hz]	Speed [RPM]	Power input [W]	Current [A]	Sound pressure level [dB(A)]	Perm. amb. temperature [°C]	Capacitor [μ F/VDB]	Electrical connection
BL-F160A-2E-D01-01	230	50	2580	240	1.08	71	-25...+40	6.0/450	A
BL-F160A-4E-B01-01	230	50	1300	53	0.24	66	-25...+50	1.5/450	A
		60	1500	65	0.28	68	-25...+50	1.5/450	A

Overall dimensions



Performance curves



AC
 Centrifugal fans
 (forward curved)