

AC centrifugal fan (forward curved \varnothing 120 mm)



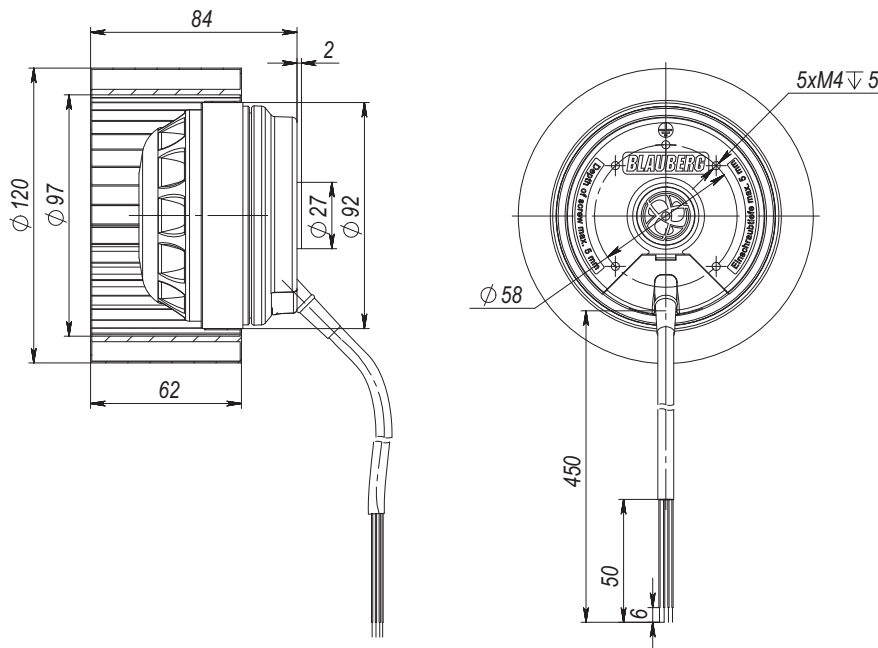
- Impeller material: galvanized steel
- Direction of rotation: clockwise, seen on rotor
- Type of protection: IP44
- Insulation class: B
- Mode of operation: continuous operation (S1)
- Bearing: ball bearings
- Motor protection: self-resetting TOP wired internally



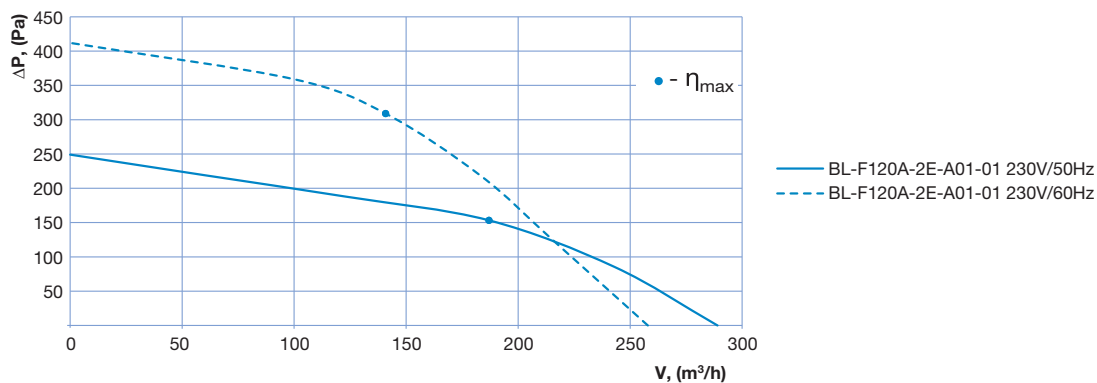
Technical data

Type	Nominal voltage [VAC]	Frequency [Hz]	Speed [RPM]	Power input [W]	Current [A]	Sound pressure level [dB(A)]	Perm. amb. temperature [°C]	Capacitor [μ F/VDB]	Electrical connection
BL-F120A-2E-A01-01	230	50	2380	57	0.25	60	-25...+50	1.5/450	A
		60	3060	65	0.27	63	-25...+50	1.5/450	A

Overall dimensions



Performance curves



AC
 Centrifugal fans
 (forward curved)