



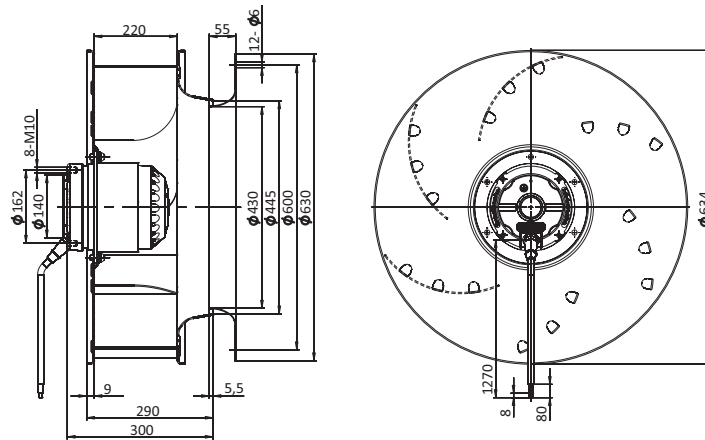
- Impeller material: sheet aluminium
- Direction of rotation: clockwise, seen on rotor
- Type of protection: IP54
- Insulation class: F
- Mode of operation: continuous operation (S1)
- Bearing: ball bearings
- Motor protection: self-resetting TOP wired internally



Technical data

Type	Nominal voltage [VAC]	Frequency [Hz]	Speed [RPM]	Power input max, W	Current max [A]	Sound pressure level [dB(A)]	Perm. amb. temperature [°C]	Electrical connection
BL-B630A-4D-T01-01	230	50	1370	4300	11.8	81	-25...+60	B1
	400	50	1370	4300	6.8	81	-25...+60	B2
BL-B630A-6D-S01-01	230	50	900	1200	4.68	76	-25...+50	B1
	400	50	900	1200	2.7	76	-25...+50	B2

Overall dimensions



Performance curves

