



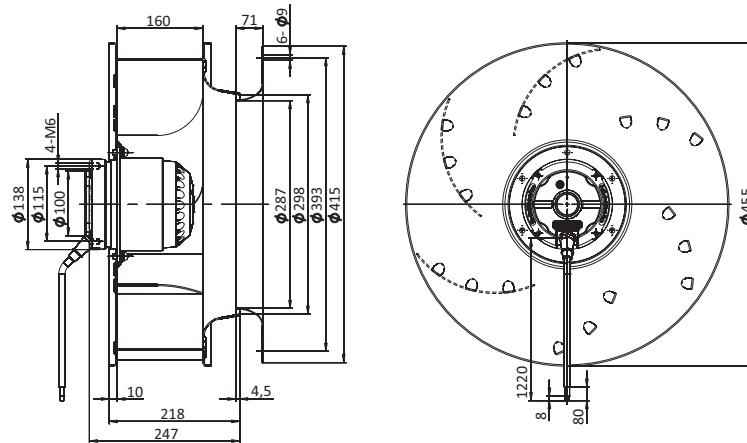
- Impeller material: sheet aluminium
- Direction of rotation: clockwise, seen on rotor
- Type of protection: IP54
- Insulation class: F
- Mode of operation: continuous operation (S1)
- Bearing: ball bearings
- Motor protection: self-resetting TOP wired internally



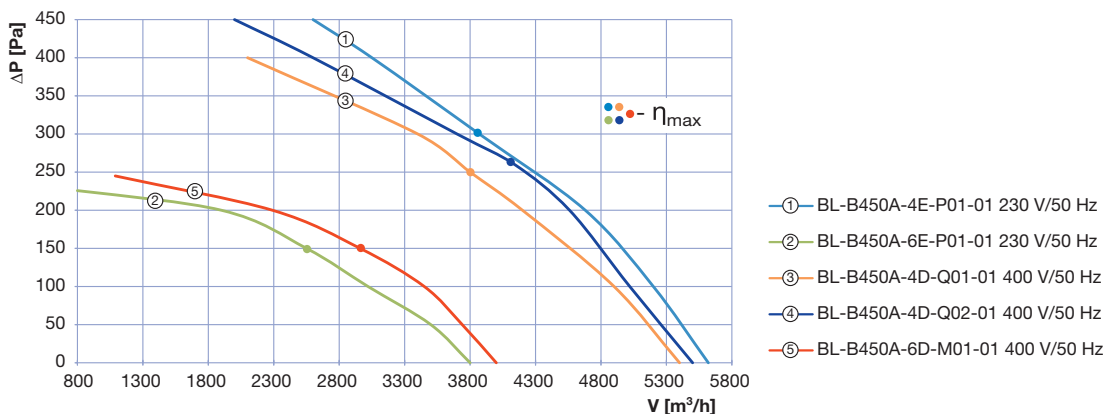
## Technical data

Type	Nominal voltage [VAC]	Frequency [Hz]	Speed [RPM]	Power input max, W	Current max [A]	Sound pressure level [dB(A)]	Perm. amb. temperature [°C]	Capacitor [ $\mu$ F/VDB]	Electrical connection
BL-B450A-4E-P01-01	230	50	1340	830	4.1	74	-25...+40	14.0/450	A
BL-B450A-6E-P01-01	230	50	900	300	1.4	60	-25...+60	10.0/450	A
BL-B450A-4D-Q01-01	230	50	1280	690	1.26	74	-25...+40	-	B1
	400	50	1080	350	0.58	74	-25...+40	-	B2
BL-B450A-4D-Q02-01	230	50	1260	810	2.35	74	-25...+60	-	B1
	400	50	1260	810	1.36	74	-25...+60	-	B2
BL-B450A-6D-M01-01	230	50	940	330	0.9	60	-25...+60	-	B1
	400	50	940	330	0.9	60	-25...+60	-	B2

## Overall dimensions



## Performance curves



AC  
Centrifugal fans  
(backward curved)