



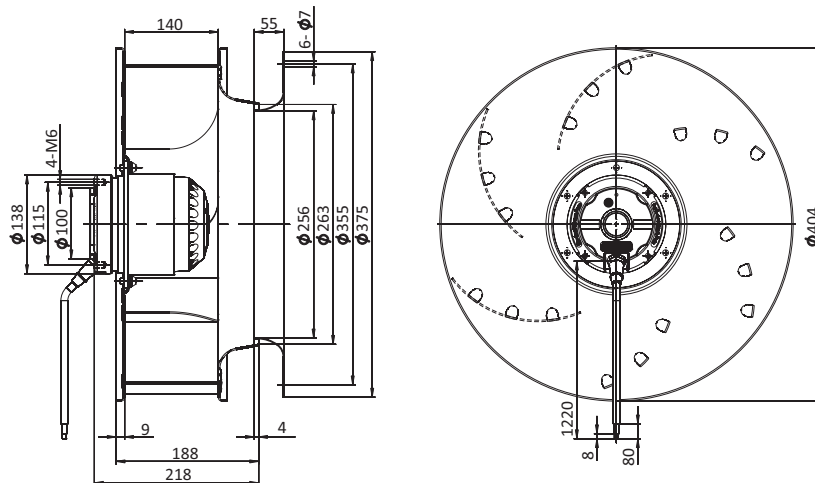
- Impeller material: sheet aluminium
- Direction of rotation: clockwise, seen on rotor
- Type of protection: IP54
- Insulation class: F
- Mode of operation: continuous operation (S1)
- Bearing: ball bearings
- Motor protection: self-resetting TOP wired internally



Technical data

Type	Nominal voltage [VAC]	Frequency [Hz]	Speed [RPM]	Power input max, W	Current max [A]	Sound pressure level [dB(A)]	Perm. amb. temperature [°C]	Capacitor [μ F/VDB]	Electrical connection
BL-B400C-4E-Q01-01	230	50	1350	560	2.46	66	-25...+50	10.0/450	A
BL-B400C-6E-Q01-01	230	50	920	180	0.83	50	-25...+60	5.0/450	A
BL-B400C-4D-Q01-01	230	50	1350	540	1	66	-25...+50	-	B1
	400	50	1070	350	0.53	66	-25...+50	-	B2
BL-B400C-6D-Q01-01	230	50	900	250	1.26	50	-25...+60	-	B1
	400	50	900	250	0.73	50	-25...+60	-	B2

Overall dimensions



Performance curves

