

# AC centrifugal fan (backward curved $\varnothing$ 355 mm)



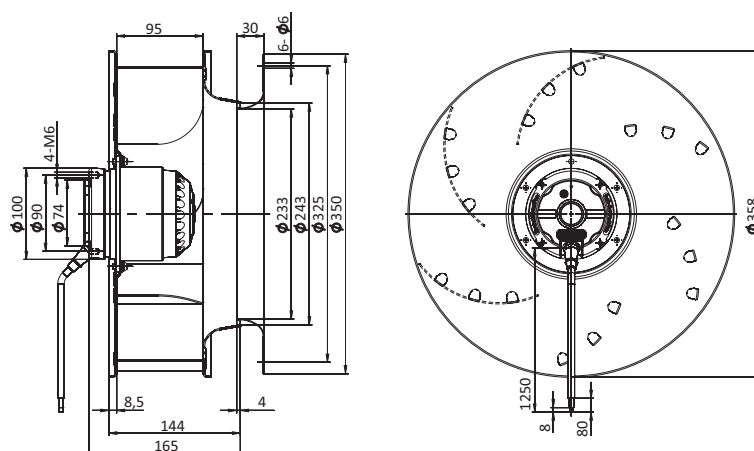
- Impeller material: sheet aluminium
- Direction of rotation: clockwise, seen on rotor
- Type of protection: IP44
- Insulation class: F
- Mode of operation: continuous operation (S1)
- Bearing: ball bearings
- Motor protection: self-resetting TOP wired internally



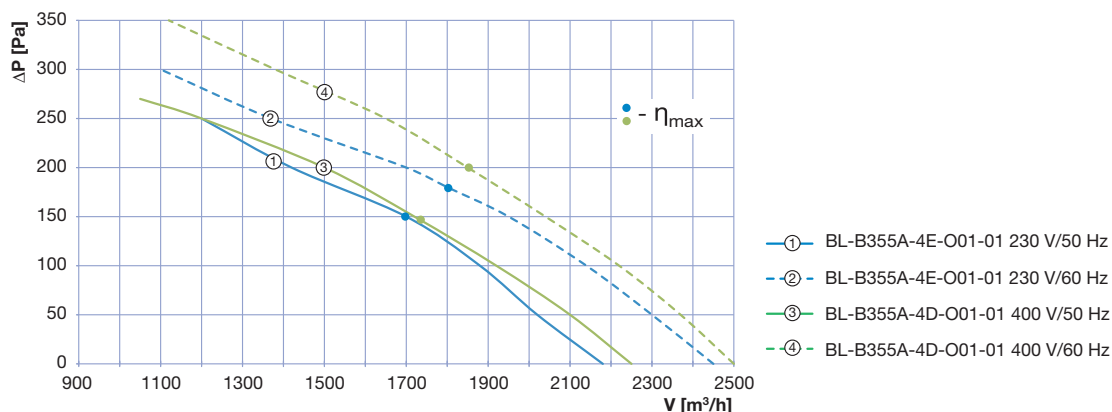
## Technical data

Type	Nominal voltage [VAC]	Frequency [Hz]	Speed [RPM]	Power input max, W	Current max [A]	Sound pressure level [dB(A)]	Perm. amb. temperature [°C]	Capacitor [ $\mu$ F/VDB]	Electrical connection
BL-B355A-4E-M01-01	230	50	1360	220	1	64	-25...+70	6.0/450	A
		60	1450	310	1.38	68	-25...+40		
BL-B355A-4D-M01-01	400	50	1380	220	0.47	65	-25...+70	-	B
		60	1500	310	0.48	67	-25...+50		

## Overall dimensions



## Performance curves



AC  
Centrifugal fans  
(backward curved)