



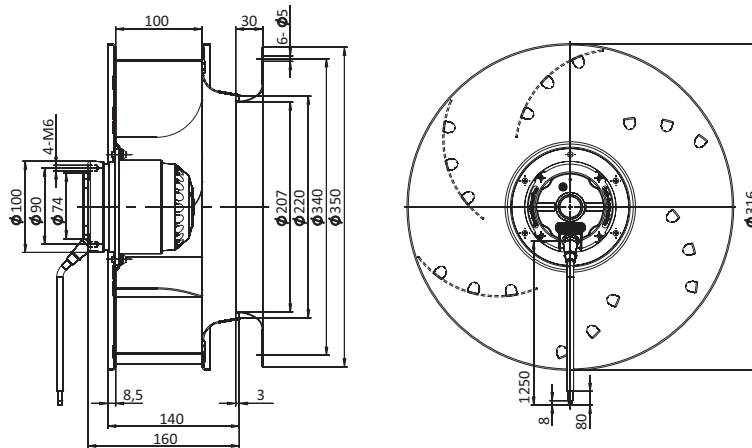
- Impeller material: sheet aluminium
- Direction of rotation: clockwise, seen on rotor
- Type of protection: IP44
- Insulation class: F
- Mode of operation: continuous operation (S1)
- Bearing: ball bearings
- Motor protection: self-resetting TOP wired internally



Technical data

Type	Nominal voltage [VAC]	Frequency [Hz]	Speed [RPM]	Power input max, W	Current max [A]	Sound pressure level [dB(A)]	Perm. amb. temperature [°C]	Capacitor [μ F/VDB]	Electrical connection
BL-B310B-4E-L01-01	230	50	1370	140	0.68	61	-25...+40	4.0/450	A
		60	1500	190	0.82	65			
BL-B310B-6E-L01-01	230	50	960	77	0.35	53	-25...+40	3.0/450	A
		60	1500	90	0.82	65		4.0/450	
BL-B310B-4D-L01-01	400	50	1400	150	0.39	62	-25...+40	-	B
		60	1560	185	0.35	64			

Overall dimensions



Performance curves

