

AC centrifugal fan (backward curved ø 280 mm)



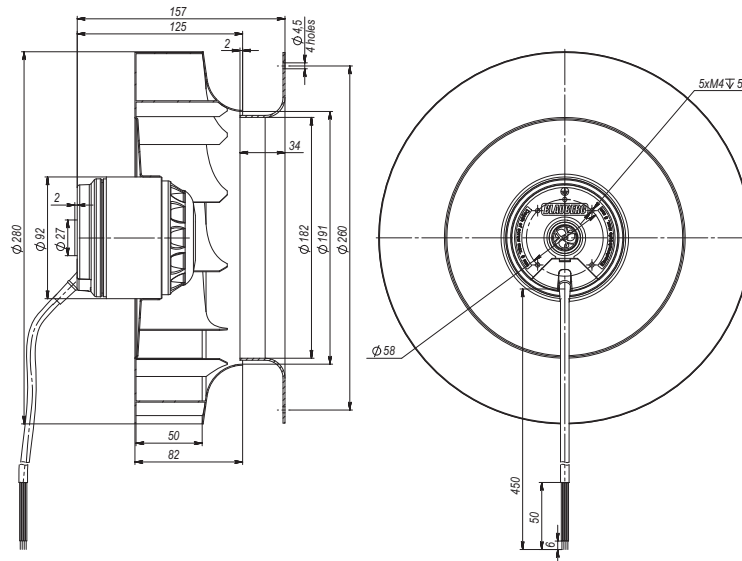
- Impeller material: galvanized steel
- Direction of rotation: clockwise, seen on rotor
- Type of protection: IP44
- Insulation class: B
- Mode of operation: continuous operation (S1)
- Bearing: ball bearings
- Motor protection: self-resetting TOP wired internally



Technical data

Type	Nominal voltage [VAC]	Frequency [Hz]	Speed [RPM]	Power input max [W]	Current max [A]	Sound pressure level [dB(A)]	Perm. amb. temperature [°C]	Capacitor [µF/VDB]	Electrical connection
BL-B280A-2E-D01-01	230	50	2325	305	1.33	78	-25...+40	6/450	A

Overall dimensions



Performance curves

