



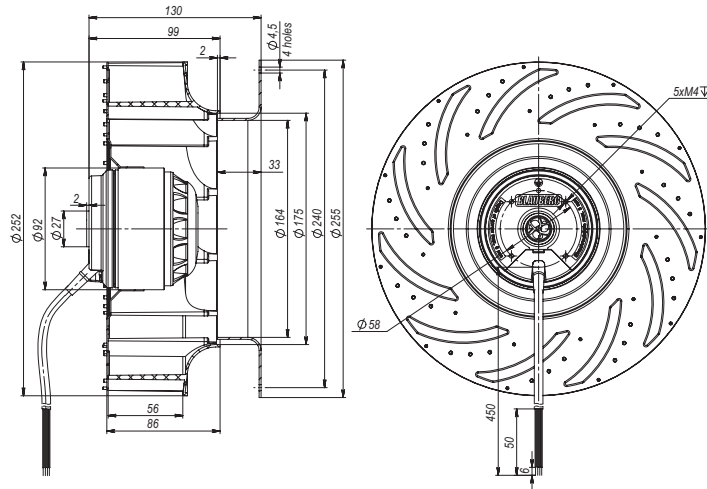
- Impeller material: PA plastic + 20% glass fiber + galvanized steel
- Direction of rotation: clockwise, seen on rotor
- Type of protection: IP44
- Insulation class: B
- Mode of operation: continuous operation (S1)
- Bearing: ball bearings
- Motor protection: self-resetting TOP wired internally



### Technical data

Type	Nominal voltage [VAC]	Frequency [Hz]	Speed [RPM]	Power input max, W	Current max [A]	Sound pressure level [dB(A)]	Perm. amb. temperature [°C]	Capacitor [ $\mu$ F/VDB]	Electrical connection
BL-B250A-2E-C01-01	230	50	2125	180	0.8	70	-25...+50	4/450	A
		60	1785	210	0.9	69			
BL-B250A-2E-C02-01	230	50	2200	160	0.7	70	-25...+50	4/450	A
		60	2000	195	0.85	69			
BL-B250A-2E-D01-01	230	50	2330	195	0.85	72	-25...+40	4/450	A
		60	2190	244	1.06	70			

### Overall dimensions



### Performance curves

