

AC centrifugal fan (backward curved $\varnothing 220$ mm)



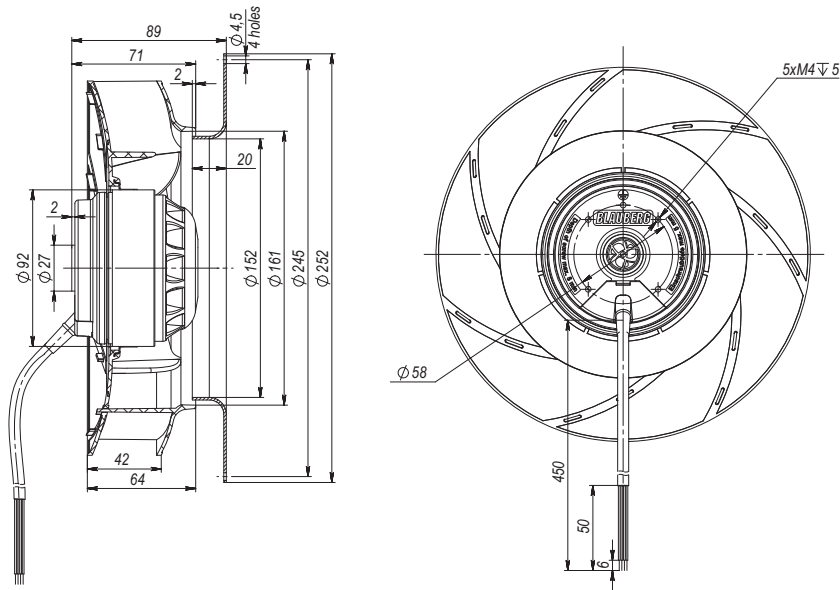
- Impeller material: PA plastic + 20% glass fiber
- Direction of rotation: clockwise, seen on rotor
- Type of protection: IP44
- Insulation class: B
- Mode of operation: continuous operation (S1)
- Bearing: ball bearings
- Motor protection: self-resetting TOP wired internally



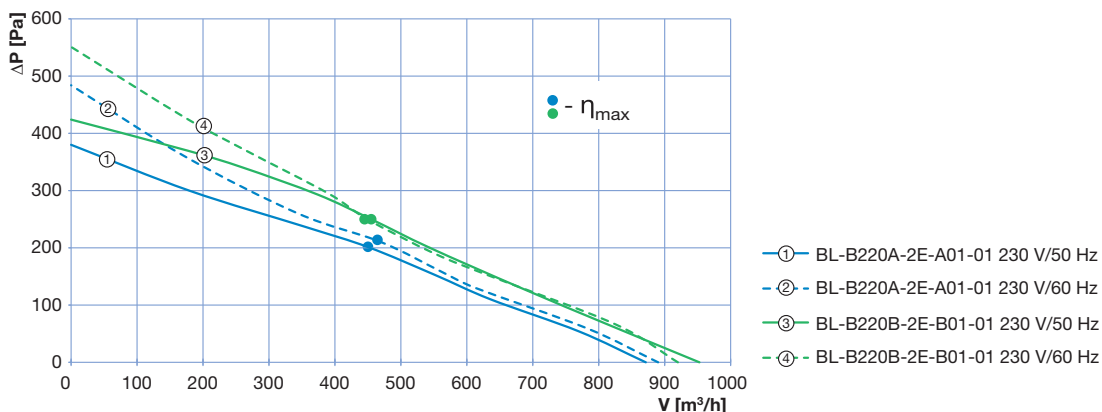
Technical data

Type	Nominal voltage [VAC]	Frequency [Hz]	Speed [RPM]	Power input max [W]	Current max [A]	Sound pressure level [dB(A)]	Perm. amb. temperature [°C]	Capacitor [μ F/VDB]	Electrical connection
BL-B220B-2E-A01-01	230	50	2115	97	0.43	69	-25...+50	2/450	A
		60	2145	111	0.48	70			
BL-B220B-2E-B01-01	230	50	2320	110	0.5	70	-25...+50	2/450	A
		60	2300	135	0.59	71			

Overall dimensions



Performance curves



AC
Centrifugal fans
(backward curved)