

# AC centrifugal fan (backward curved $\varnothing 190$ mm)



- Impeller material: PA plastic + 20% glass fiber
- Direction of rotation: clockwise, seen on rotor
- Type of protection: IP44
- Insulation class: B
- Mode of operation: continuous operation (S1)
- Bearing: ball bearings
- Motor protection: self-resetting TOP wired internally



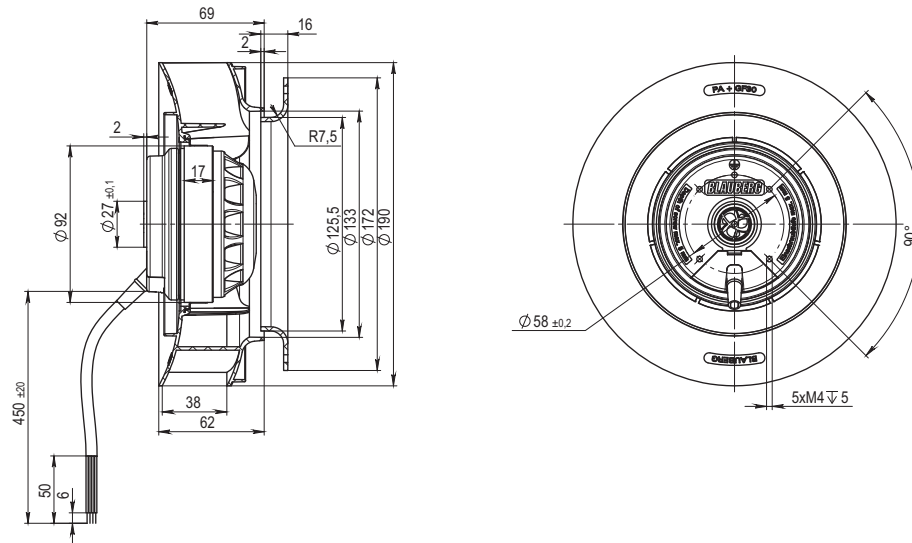
AC

Centrifugal fans  
(backward curved)

## Technical data

Type	Nominal voltage [VAC]	Frequency [Hz]	Speed [RPM]	Power input max [W]	Current max [A]	Sound pressure level [dB(A)]	Perm. amb. temperature [°C]	Capacitor $\mu\text{F/VDB}$	Electrical connection
BL-B190C-2E-A01-01	230	50	2508	65	0.29	62	-25...+50	1.5/450	A
		60	2690	80	0.35	64			

## Overall dimensions



## Performance curves

