



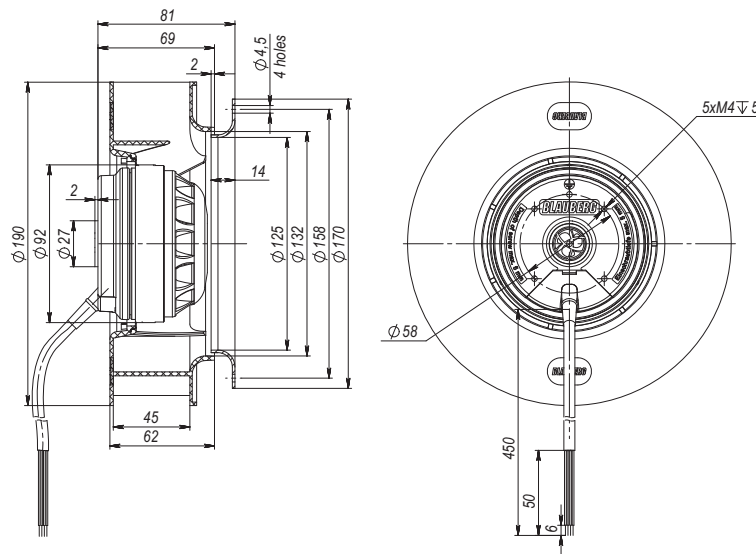
- Impeller material: PA plastic + 20% glass fiber
- Direction of rotation: clockwise, seen on rotor
- Type of protection: IP44
- Insulation class: B
- Mode of operation: continuous operation (S1)
- Bearing: ball bearings
- Motor protection: self-resetting TOP wired internally



Technical data

Type	Nominal voltage [VAC]	Frequency [Hz]	Speed [RPM]	Power input max [W]	Current max [A]	Sound pressure level [dB(A)]	Perm. amb. temperature [°C]	Capacitor μ F/VDB	Electrical connection
BL-B190A-2E-A01-01	230	50	2435	66	0.3	62	-25...+50	1.5/450	A
		60	2605	82	0.36	64			

Overall dimensions



Performance curves

