

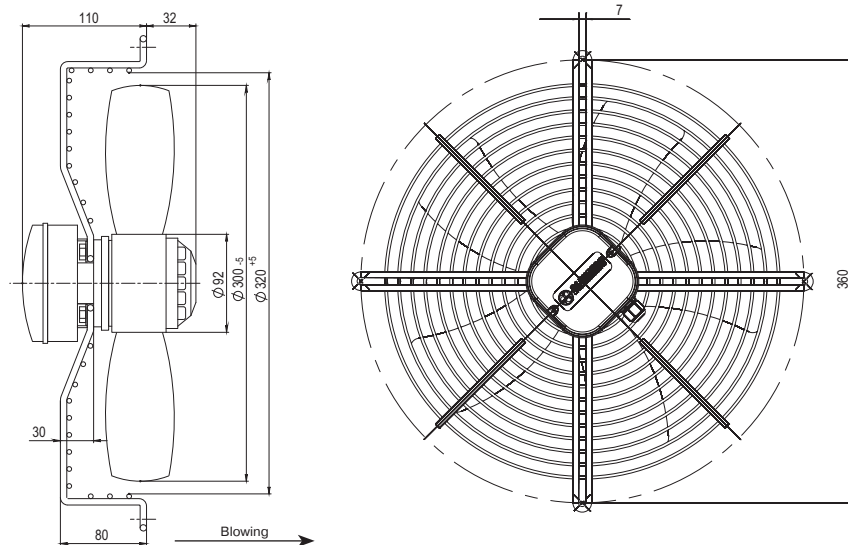
- Impeller material: steel powder coated, stamped
- Direction of rotation: clockwise, seen on rotor
- Type of protection: IP54
- Insulation class: B
- Mode of operation: continuous operation (S1)
- Bearing: ball bearings
- Motor protection: self-resetting TOP wired internally



Technical data

Type	Nominal voltage [VAC]	Frequency [Hz]	Speed [RPM]	Power input [W]	Current [A]	Sound pressure level [dB(A)]	Perm. amb. temperature [°C]	Capacitor [μ F/VDB]	Electrical connection
BL-A300A-2E-C01-B1	230	50	2500	125	0.55	58	-25...+40	4/450	A
		60	2700	155	0.7	60			
BL-A300A-4E-C01-B1	230	50	1350	90	0.42	54	-25...+40	3/450	A
		60	1600	115	0.51	59			

Overall dimensions



Performance curves

