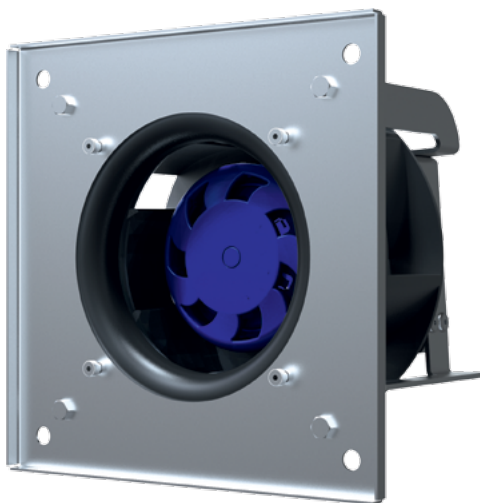


Ø 133 mm, BACKWARD CURVED

EC CENTRIFUGAL FAN



**Features**

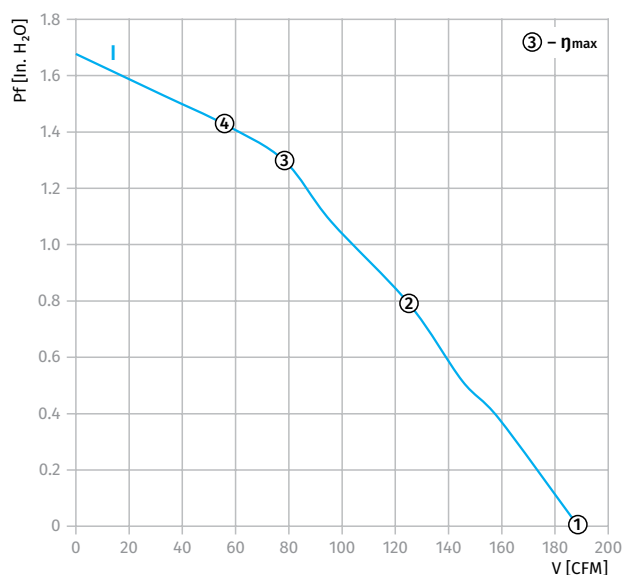
- **Materials:** Impeller – PA6+GF20  
Inlet ring – PA6+GF20  
Housing – sheet steel, painted grey
- **Direction of rotation:** clockwise, seen on rotor
- **Type of protection:** IP55
- **Insulation class:** B
- **Mode of operation:** S1
- **Bearing:** ball bearings
- **Motor protection:** fuse



**Technical data**

Model	Perform. curve	Nominal voltage [VAC]	Frequency [Hz]	Speed [RPM]	Power input max [W]	Current max [A]	Sound pres. level [dB(A)]	Perm. amb. temp. [°C]	Electrical connection	Inlet ring
*C-B133A-EC-00	I	120	60	4416	48	0.7	72	-25 ... +60	Type "E"/p. 37	p.36

**PERFORMANCE CURVES**



Curve	Point	n [RPM]	Pi [W]	I [A]
I	1	4380	45.0	0.655
	2	4344	47.5	0.691
	3	4416	41.5	0.614
	4	4452	38.6	0.576

# Ø 133 MM, BACKWARD CURVED

# EC CENTRIFUGAL FAN

## Overall Dimensions

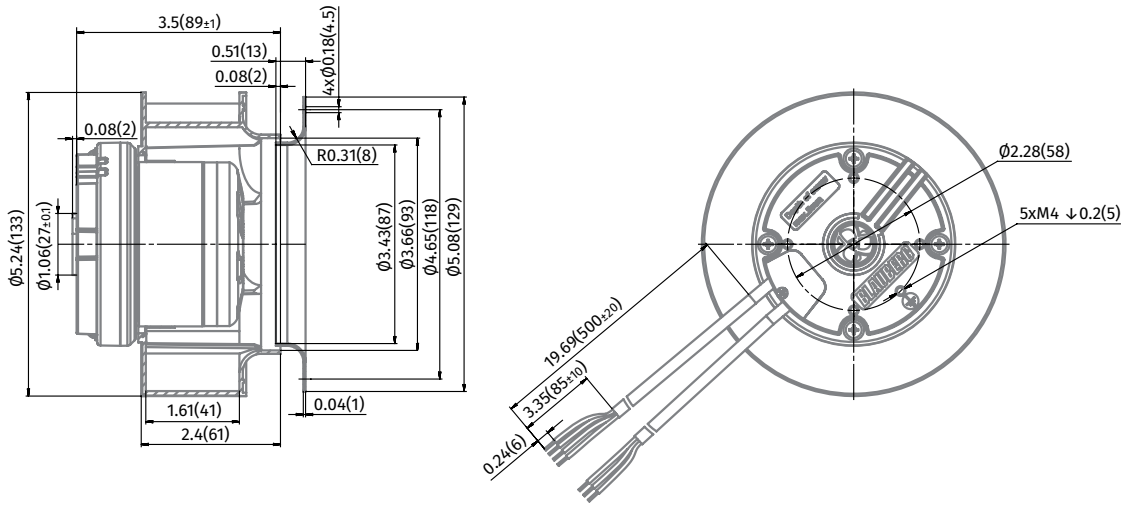


Centrifugal Fan	Weight [kg]
BC-B133A-EC-00	1



Centrifugal Fan with Plug Fan	Weight [kg]
GC-B133A-EC-00	1.4

### BC-B133A-EC-00



### GC-B133A-EC-00

